

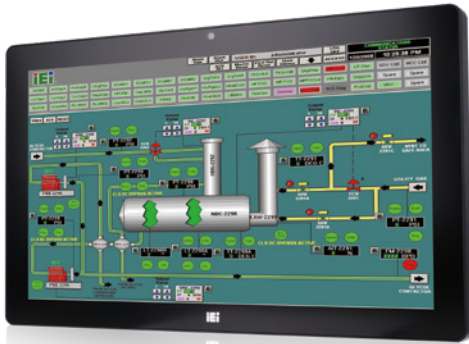
# AFL3-W19C-ULT3

Intel® Core™ i5 and Celeron® ULT Processor

# AFL3-W19A-AL

Intel® Celeron® / Atom™ Apollo Lake Processor

Preliminary



## Features

- 18.5" light industrial interactive panel PC
- Wide range DC power input
- Selectable AT/ATX power mode
- Built-in speakers
- One mSATA slot
- IP64 compliant front panel
- IEI One Key Recovery solution allows you to create rapid OS backup and recovery (suggested with over 4GB storage capacity)



## Specifications

| Model                 |   | AFL3-W19C-ULT3   | AFL3-W19A-AL <span style="border: 1px solid black; padding: 2px;">Preliminary</span>   |
|-----------------------|---|--|--|
| LCD                   | Size  | 18.5"  | 18.5"  |
|                       | Resolution  | 1366 x 768 (16:9)  | 1366 x 768 (16:9)  |
|                       | Brightness (cd/m <sup>2</sup> )                         | 250  | 250/350  |
|                       | Contrast Ratio  | 1000:1   | 1000:1   |
|                       | LCD Color   | 262K   | 262K   |
|                       | Pixel Pitch (mm)  | 0.240 (H) x 0.240 (V)  | 0.240 (H) x 0.240 (V)  |
|                       | Viewing Angle (H-V)                                     | 170°/160°  | 170°/160°  |
|                       | Backlight MTBF(hrs)                                     | 30,000 (LED backlight panel)   | 30,000 (LED backlight panel)   |
| Touch                 | Touch Screen  | Projected capacitive type with USB interface   | Projected capacitive type with USB interface (anti-UV)   |
|                       | Touch Controller  | EETI EXC3180   | EETI EXC3188   |
| Motherboard           | CPU   | Intel® Core™ i5 and Celeron® ULT Processor   | Intel® Atom™ Processor E3940 (2M Cache, 1.6 GHZ up to 1.80 GHZ) ,TDP 9.5W<br>Intel® Celeron® Processor N3350 (2M Cache, 1.1 GHZ up to 2.40 GHZ) , TDP 6W   |
|                       | RAM   | Two 260-pin 2133/1867 MHz dual-channel DDR4 SO-DIMMs (system max. 32 GB)   | One 204-pin 1600/1333 MHz single-channel DDR3L SDRAM, 4GB pre-installed (system max. 8GB)  |
|                       | Ethernet  | 2 x Intel® I211-AT PCIe GbE controller   | 2 x PCIe GbE by Intel® i211 controller   |
|                       | Audio Codec   | ALC892   |  |
| Storage               |   | (1) 1 x 2.5" SATA 3Gb/s HDD bay<br>(2) 1 x M.2 M key PCIe storage (2280 or 22110)<br>(3) 1 x mSATA slot  | (1) 1 x 2.5" SATA 3Gb/s HDD bay<br>(2) 1 x mSATA slot  |
|                       | I/O Ports & Switch                                      | 1 x RS-232 by DB-9 (RI/5V/12V)<br>1 x RS-232/422/485 by DB-9 (RI/5V/12V)<br>2 x GbE LAN<br>4 x USB 3.0<br>1 x HDMI output<br>1 x Power switch<br>1 x Reset button<br>1 x AT/ATX switch<br>1 x 9V ~ 30V lockable power jack | 1 x RS-232/422/485 by RJ-45<br>1 x RS-232 by RJ-45<br>2 x GbE LAN<br>2 x USB 3.0<br>2 x USB 2.0<br>1 x HDMI output<br>1 x 12V ~ 34V DC Jack<br>1 x Power switch<br>1 x AT/ATX switch<br>1 x Line out |
| Audio                 | AMP 3W + 3W (internal speaker)                          |  |  |
| Camera and Microphone | 2-megapixel with low light function, digital microphone |  | 2-megapixel with low light function, digital microphone  |
| Wireless & Bluetooth  | IEEE 802.11a/b/g/n/ac, Bluetooth v4.0 (M.2 slot)        |  | IEEE 802.11a/b/g/n/ac, Bluetooth v4.0 (M.2 slot)   |
| OSD Function          | Software OSD  |  |  |
| Physical              | Front Panel Construction                                | PC + ABS Plastic   | PC + ABS Plastic   |
|                       | Mounting  | Panel, Wall, Rack, Stand and Arm<br>VESA 75mm x 75mm / 100mm x 100mm   | Panel, Wall, Stand and Arm VESA 100mm x 100mm  |
|                       | Color   | Black C  | Black C  |
|                       | Dimensions (W x H x D) (mm)                             | 470 x 290 x 70   | 470 x 280 x 60   |
|                       | Cut-out Dimensions (W x H) (mm)                         | 443 x 261  | 418 x 230  |
|                       | Net/Gross Weight (kgs)                                  | 7.3/10   | 6.3/9  |
| Environment           | Operating Temperature (Ambient with air flow)           | -20°C ~ 50°C   | -15°C ~ 50°C   |
|                       | Storage Temperature                                     | -20°C ~ 60°C   |  |
|                       | Humidity  | 10% to 95% (non-condensing)  |  |
|                       | IP Level  | IP 64 compliant front panel  |  |
|                       | Safety & EMC  | CE / FCC   |  |
|                       | Thermal Solution  | Fanless  |  |
| Power                 | Power Requirement                                       | 9V ~ 30V DC  | 12V ~ 34V DC   |
|                       | Power Consumption                                       | 12V@7.1A (Intel® Core™ i5-6300U CPU with 4GB DDR4 2133 MHz DDR4 memory)  | 12V@3.2A (Intel® Core™ i5-6300U CPU with 4GB DDR4 2133 MHz DDR4 memory)  |

## Ordering Information

| Part No.                    | Description  |
|-----------------------------|--|
| AFL3-W19C-ULT3-C/PC/4G-R10  | Wide 18.5" 250 cd/m <sup>2</sup> 1366 x 768 Panel PC with Intel® 14nm 6th Generation Mobile Celeron® 3955U (15W) on-board Processor (ULT), 1*4GB DDR4 RAM, 802.11a/b/g/n/ac WiFi module, PCAP touch, 2 M camera, microphone, R10 |
| AFL3-W19C-ULT3-i5/PC/4G-R10 | Wide 18.5" 250 cd/m <sup>2</sup> 1366 x 768 Panel PC with Intel® 14nm 6th Generation Mobile Core™ i5-6300U (15W) on-board Processor (ULT), 1*4GB DDR4 RAM, 802.11a/b/g/n/ac WiFi module, PCAP touch, 2 M camera, microphone, R10 |
| AFL3-W19A-AL-E2/PC/4G-R10   | Wide 18.5" 250 cd/m <sup>2</sup> 1366 x 768 Panel PC with Intel® 14nm Atom™ Processor E3940 (9.5W) on-board Processor (Apollo lake), 1*4GB DDR4 RAM, 802.11a/b/g/n/ac WiFi module, PCAP touch, 2M camera, microphone, R10        |
| AFL3-W19A-AL-N1/PC/4G-R10   | Wide 18.5" 250 cd/m <sup>2</sup> 1366 x 768 Panel PC with Intel® 14nm Celeron® Processor N3350 (6W) on-board Processor (Apollo lake), 1*4GB DDR4 RAM, 802.11a/b/g/n/ac WiFi module, PCAP touch, 2M camera, microphone, R10       |

## Options

| Item   | AFL3-W19C-ULT3  | AFL3-W19A-AL            |
|--|---|-------------------------|
| Panel Mounting Kit   | AFL3PK-W19C-R10   |                         |
| Wall Mounting Kit  | AFLWK-19B   |                         |
| Arm  | ARM-11-RS/ARM-31-RS                                     |                         |
| Stand  | STAND-A21-R10/ STAND-210-R11/STAND-A19-RS/STAND-C19-R10 |                         |
| Magnetic Card Reader   | AFL3P-W10MSR-U-R10                                      |                         |
| Barcode Scanner  | AFL3-2D-R11   |                         |
| RFID Reader<br>(13.56 MHz Mifare Type)<br>(For ATO assembly) | AFL3-MF-RFID-KIT02-R10                                  |                         |
| *OS: Win 7 Embedded (64-bit)                                 | AFL3-W15C-ULT3-WES7P64-R10                              | N/A                     |
| *OS: Win 10 IOT Enterprise (64-bit)                          | AFL3-W15C-ULT3-W10E64-R10                               | AFL3-W19A-AL-W10E64-R10 |

\*OS image with CD-ROM without storage

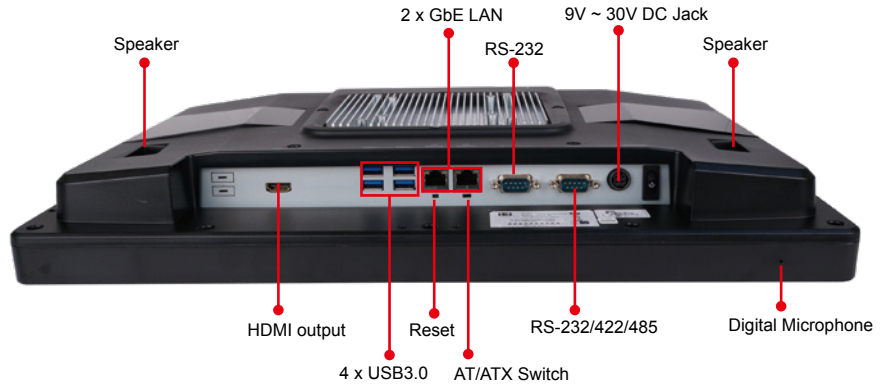
## E-Window (for ATO assembly)

| Part No.               | Description   |
|------------------------|---|
| E-MPCIE-LAN02-R10      | PCIe Mini card supports 1-port GbE with Realtek RTL8111E controller, with PMS 194C I/O bracket and 340 mm cable, R10          |
| E-MPCIE-CClink02-R10   | PCIe Mini card supports CC-Link Slave interface according to V2.0 and V1.1, with PMS black C I/O bracket and 300mm cable, R10 |
| E-MPCIE-PROFIBUS02-R10 | PCIe Mini card supports universal PROFIBUS DP card for Master or Slave, with PMS black C I/O bracket and 300mm cable, R10     |
| E-MPCIE-EtherCAT-R10   | PCIe Mini card supports universal for all Real-Time Ethernet protocols, with PMS black C I/O bracket and 280mm cable, R10     |
| E-MPCIE-3G-R10         | PCIe Mini card supports 3G WWAN, with PMS 130C I/O bracket, RF antenna 300mm cable and GSM antenna cable, R10                 |

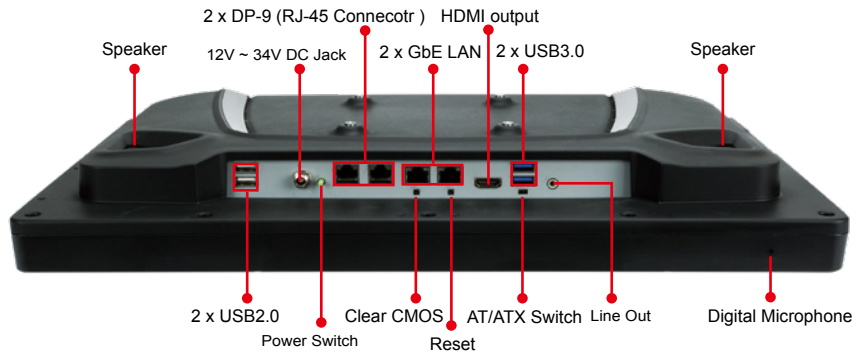
## Packing List

| Item                     | Part No.   | Q'ty | Description  |
|--------------------------|--|------|--|
| One Key Recovery DVD     | 7B000-001083-RS  | 1    |  |
| Round head machine screw | 44403-040061-RS  | 4    | M2*4 round head machine screw  |
| Pan head machine screw   | 44003-030052-RS  | 4    | M4*6 pan head machine screw  |
| Power cord               | 32702-000200-100-RS  | 1    |  |
| Power adapter            | 63040-010096-100-RS (AFL3-W19C-ULT3)<br>63040-010060-120-RS (AFL3-W19A-AL) | 1    | 96W; Vin: 90V~264V AC; Vout: 12VDC<br>60W; Vin: 90V~264V AC; Vout: 12VDC |
| Driver CD                |  | 1    |  |

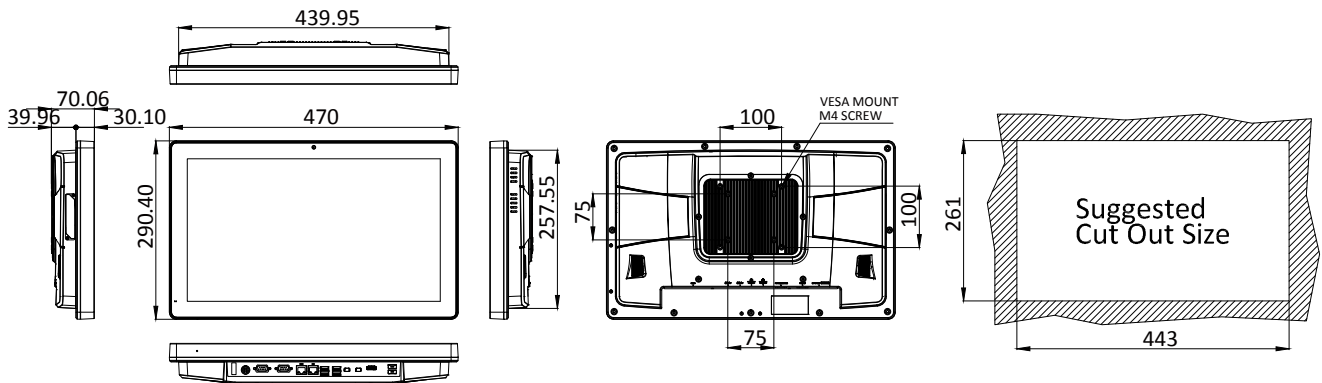
**AFL3-W19C-ULT3**  
Fully Integrated I/O



**AFL3-W19A-AL**  
Fully Integrated I/O



**AFL3-W19C-ULT3 Dimensions (Unit: mm)**



**AFL3-W19A-AL Dimensions (Unit: mm)**

