

MEC-LAN-M002

Mini PCI-e 2-port 10/100/1000 Ethernet board



- Single-Lane (x1) PCI-Express with throughput up to 2.5Gbps
- Fully compliant with PCI-Express Base Specification Rev. 1.1
- Integrated 10/100/1000Mbps transceiver
- IEEE 802.3, IEEE 802.3u, IEEE 802.3ab, and IEEE 802.3z compliant
- IEEE 802.3x Full-Duplex flow control



Overview

MEC-LAN-M002 is an Ethernet card for embedded PC. The card follows the Mini PCI-e standard which is compliant with PCI Express x 1 classification and small form factor (30x50.95 mm). This board fits in any host computer that has Mini PCI-e card slots. MEC-LAN-M002 is a highly cost-effective solution to expand Gigabyte network for your computer.

Top Performance

MEC-LAN-M002 has two Ethernet ports that support auto-negotiation 10/100/1000Mbps Ethernet connection with IEEE 802.3x flow control.

Intel Ethernet Chipset

MEC-LAN-M002 uses high performance, efficiency, and stability Intel 82583V Gigabit Ethernet Controller.

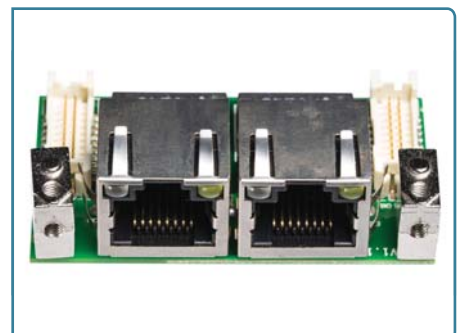
High Usability

The MEC-LAN-M002 is designed with flexibilities for many different application and accessories (daughter board, bracket, connection cable) are included in the standard package.

MECFIX – Versatile Mounting

MECFIX is the unique mounting mechanism designed specially for MEC daughterboard. The feature of the mounting unit allows the following mounting options:

1. **Standard PCI/PCIe Bracket**
2. **Low Profile PCI/PCIe Bracket**
3. **Internal Mounting** inside of PC system from any position and angle.
4. **Customizing Front/Rear Plate** of PC system according to dimension of MEC daughterboard.



Specifications

General

PCI-Express Revision:

PCI-Express Base Specification Rev 1.1

PCI-Express Electromechanical Revision:

PCI-Express Mini Card Electromechanical Rev. 1.1

Hardware

Controllers: Intel 82583V x 2

Bus: Single-Lane (x1) PCI-Express with throughput up to 2.5Gbps

Interface (Connector)

Ethernet 10/100/1000: 2 (RJ45)

Technology

Standards:

- IEEE 802.3 for 10BaseT
- IEEE 802.3u for 100BaseT(X)
- IEEE 802.3ab for 1000BaseT(X)
- IEEE 802.3z for 1000BaseX

Flow Control: IEEE 802.3x flow control

Driver Support

Operating Systems: Win 2003, Win XP, Win Vista, Win 7, Win 8

Power Requirement

Power Consumption: 835mA@3.3V

Dimensions

Width x Length (mm): 30.00 x 50.95

Environmental Limits

Operating Temperature: -20°C ~ 70°C

Storage Temperature: -20°C ~ 85°C

Humidity: 5% ~ 95%

Regulatory Approvals

EMC: CE, FCC

EMI: EN 55022, EN61000-3-2, EN61000-3-3, FCC Part 15 Subpart B Class B

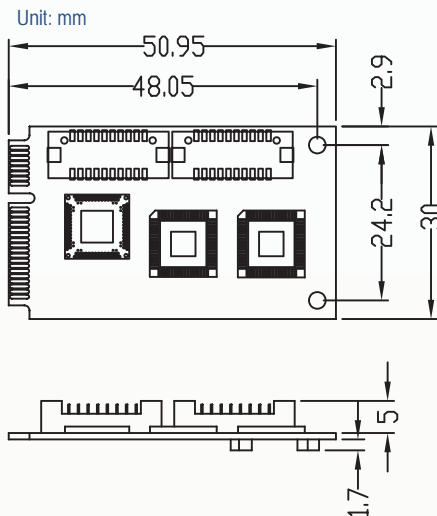
EMS: En 55024, IEC 61000-4-2, IEC 61000-4-3, IEC 61000-4-4, IEC 61000-4-5, IEC 61000-4-6, IEC 61000-4-8, IEC 61000-4-11

Reliability

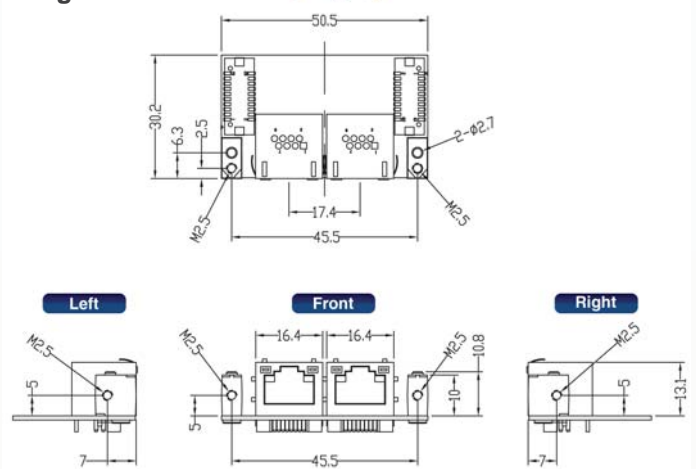
MTBF: 1,305,653 hr

Warranty: 3 years

Dimensions



Daughter Board



Package Checklist

- Mini PCI-e Card x 1
- Daughter Board
- Bracket x 1
- M2.5 Screw x 2
- 20Pin Internal Cable (30cm) x 2
- Quick Installation Guide (Printed) x 1
- Driver CD x 1



Ordering Information

Available Models

MEC-LAN-M002

Mini PCI-e 2-port 10/100/1000 Ethernet board