



HBFDF835(W)-8365-B

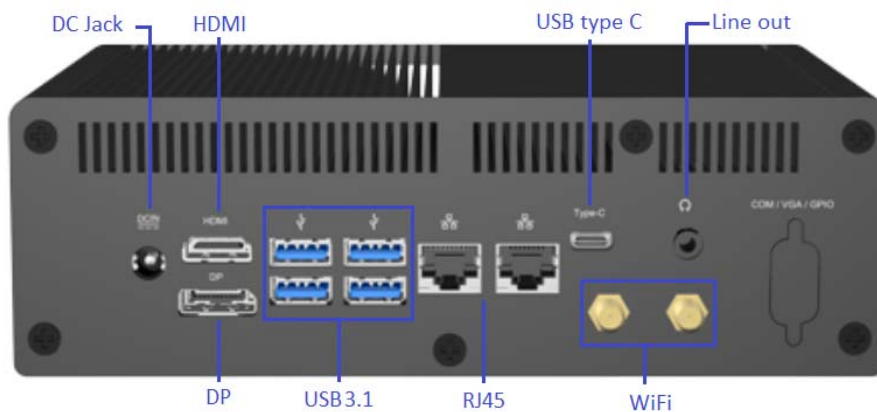


1. Intel® Whiskey Lake U Processor
2. 2* SO-DIMM DDR4-2400 , up to 32GB memory
3. 2 * USB2.0 , 4 * USB3.0 , 1 * USB TYPE-C , 1 * HDMI , 1 * DP , 2 * RJ45
4. Support Max. 4K display resolution.
5. DC-12V_60W FSP Adapter

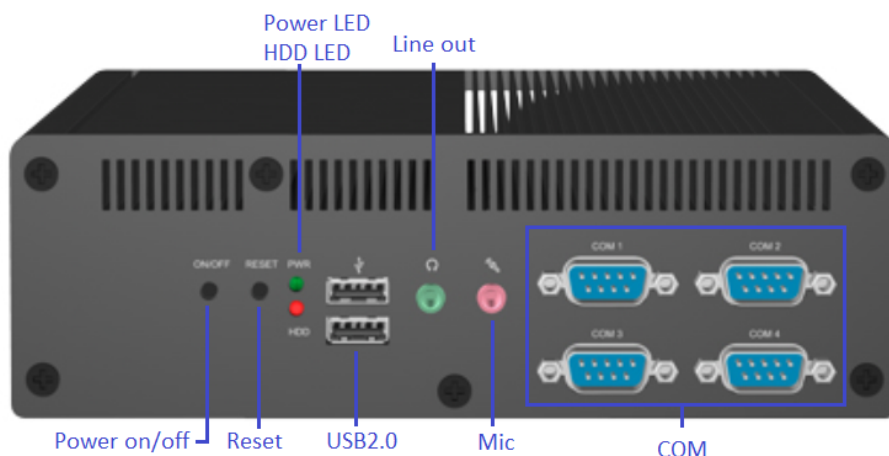


External I/O

Rear



Front

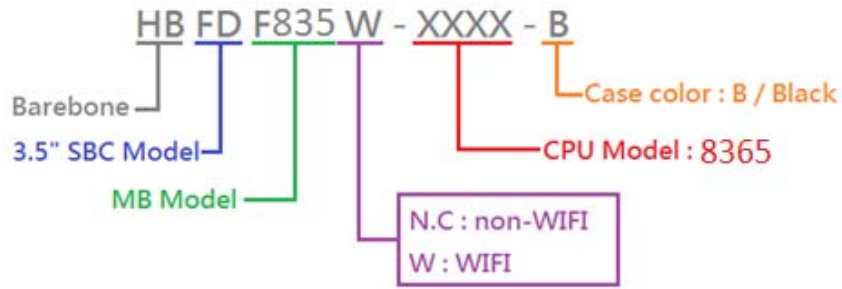


Specifications

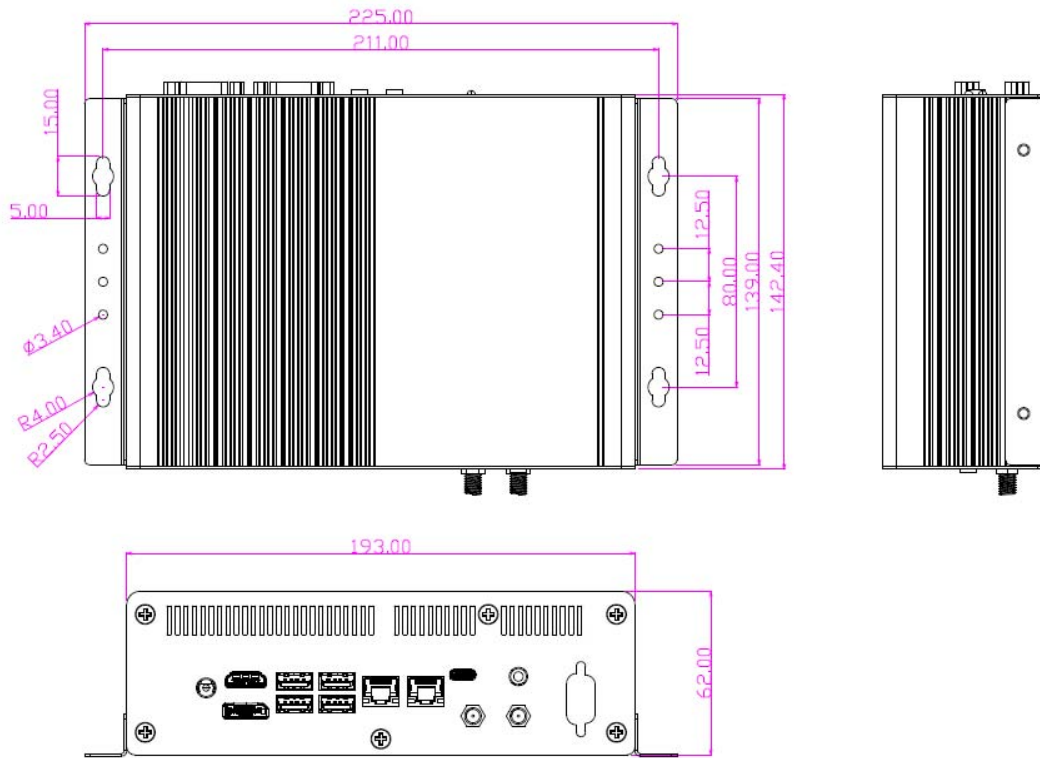
MB Model	<ul style="list-style-type: none"> ● JNF835-8365 / 3.5" SBC ● Core Number : i5-8365UE (Default)
Part No	<ul style="list-style-type: none"> ● HBFDF835-8365-B (non-WIFI) / HBFDF835W-8365-B (WIFI)
BIOS	<ul style="list-style-type: none"> ● AMI Flash ROM
CPU/Chipset	<ul style="list-style-type: none"> ● Intel® Whiskey Lake-U (Premium) Processor (TDP 15W) <p>Notes : When the system runs, CPU will automatically adjust its working clock frequency according to changing workload.</p>
Memory	<ul style="list-style-type: none"> ● 2 * SO-DIMM slots DDR4-2400 MHz up to 32GB
Storage	<ul style="list-style-type: none"> ● 1 * 2.5" SATA3 6Gb/s internal drive bay ● 1 * M.2 M-key (2242/2260/2280) Support PCIe4(NVMe) & SATA interface
Network	<ul style="list-style-type: none"> ● 2 * Intel® GbE (1* i219LM, 1* i211AT) ● 1 * M.2 E-key (2230) Support CNVi (for WiFi expansion)
Rear Panel I/O	<ul style="list-style-type: none"> ● 4 * USB 3.1 ● 1 * USB 3.1(Gen2) Type C (USB data transfer Only) ● 1 * HDMI 1.4(Max. resolution:4096 x 2160@30Hz) ● 1 * DP (Max. resolution:4096 x 2304@60Hz) ● 2 * RJ45 ● 1 * Line-out ● 1 * COM or GPIO (Optional) ● 2 * Antenna holes (Optional) ● 1 * DC-In jack
Front Panel I/O	<ul style="list-style-type: none"> ● 1 * Power button , 1 * Reset button ● 1 * Power LED , 1 * HDD LED ● 2 * USB 2.0 ports ● 1 * Line-out, 1 * MIC-in ● 4 * COM (Optional)
Power Source	<ul style="list-style-type: none"> ● DC Adapter / AC 90~240V input /DC12V-5A-60W ● MB : DC 9~24V input
Compliance	<ul style="list-style-type: none"> ● CE, FCC, LVD, RoHS
Temperature	<ul style="list-style-type: none"> ● Operating Temperature: 0~50° C ● Storage Temperature: -10~70° C
Dimensions	<ul style="list-style-type: none"> ● 193 (W) x 142.4 (D) x 62 (H) mm
Packing	<ul style="list-style-type: none"> ● Net Weight: 2.2KG ● Gross Weight: 3.2KG ● Color Box dimension: 250 (W) * 118 (D) * 295 (H) mm
OS Support	Windows 10 , Linux
Warranty	2 Year limited warranty

*Specifications subject to change without notice, not responsible for typographical errors. Does not include HDD or OS.

Part Number Rule



Mechanical Drawings (Unit = mm)



Optional Accessories

Parts Number	Description
-----	HBFD835(W)-8365-B
G03-NF835-F	IPC NF835 User's Manual
-----	DVD-ROM
-----	Adapter 12V-5A-60W
-----	Power cord
LCSCHBFDXXX-F	HBFX_Series Barebone Screw Pack
HCSFDMWM01B-F	FD Series Wall mount
HCS3XXDINRAILPS-F	DIN RAIL Clip
J05-ANT-AN2400-F	Antenna2G4 -2dBi R-AN2400-5701RS (WiFi only)

Tel: +886-2-89132711 E-mail: sales@jetway.com.tw Web: www.jetwayipc.com
 Support: technic@jetway.com.tw or support_team@jetway.com.tw