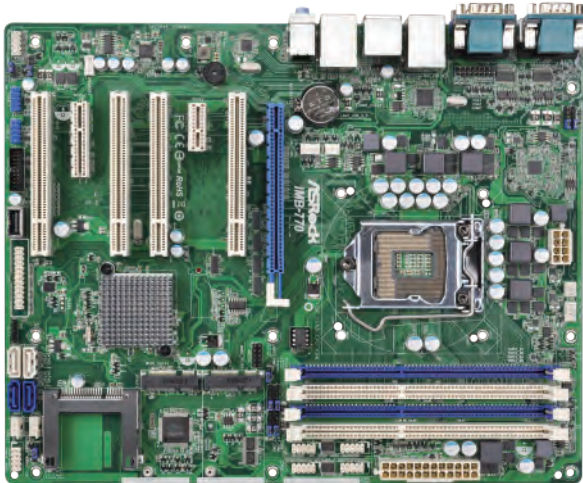


IMB-770

Socket LGA1155 for Intel Core i7/i5/i3/Celeron

ASRock
www.asrock.com



Product Brief

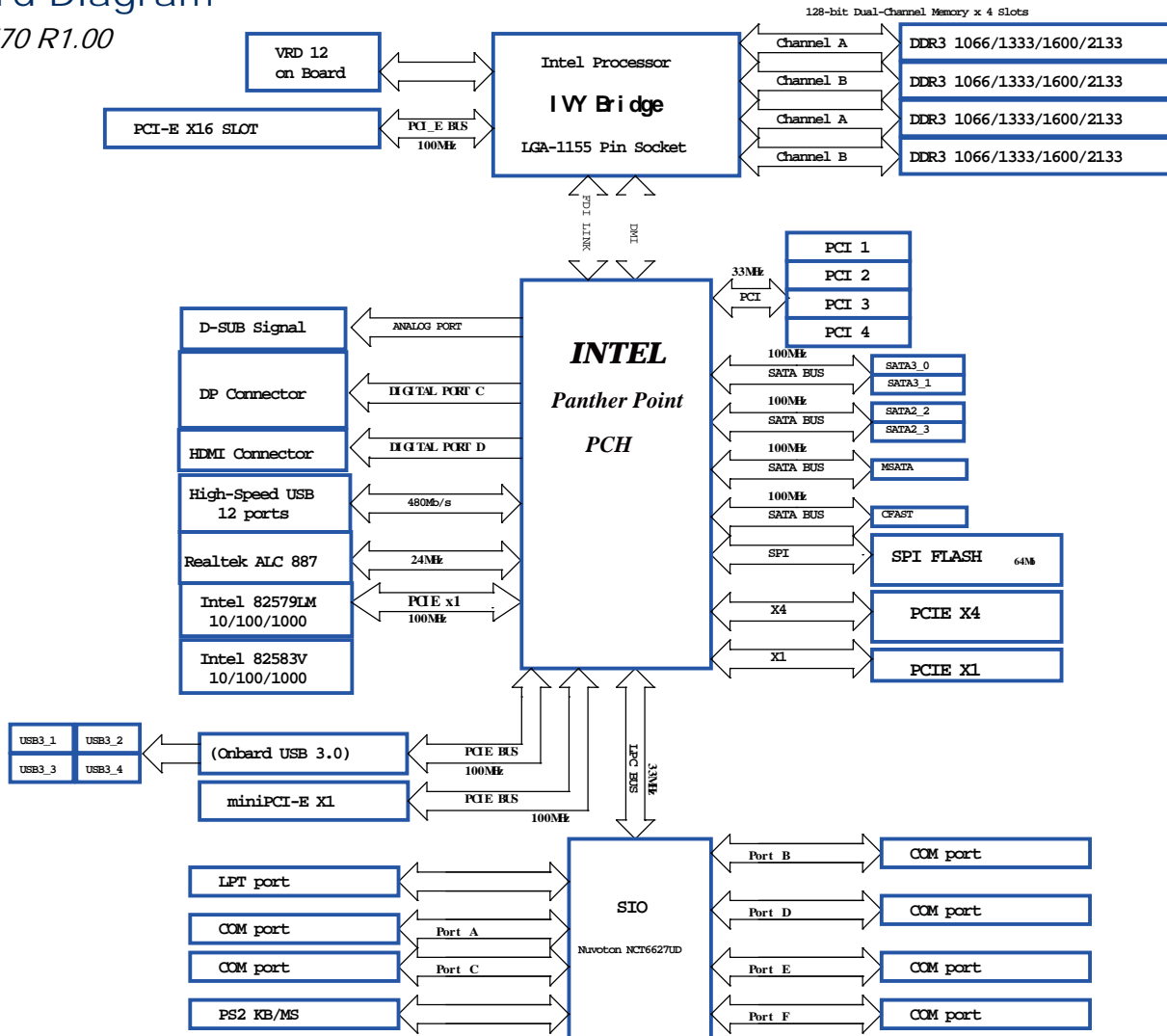
- ATX
- ASRock DuraCaps (100% Japan-made high-quality Conductive Polymer Capacitors)
- Socket LGA1155 for Intel Core i7/i5/Celeron
- Intel® Q77 Express Chipset
- Supports Dual Channel DDR3 1600MHz, 4 DIMM slots, Max capacity up to 32GB
- 1 PCIe x16, 1 PCIe x4, 1 PCIe x1, 4 PCI, 1 Mini-PCIe, 1 mSATA
- Multi-VGA Display : 1 x HDMI, 1 x VGA
- 2 USB 3.0, 5 USB 2.0 (includes 1 vertical type), 2 SATA3, 2 SATA2
- Gigabit LAN : 1 x Intel 82579LM/V, 1 x Intel 82583V
- Supports Intel HD Graphics Built-in Visuals
- Supports Graphical UEFI

Specifications

Form Factor	Dimensions	- ATX (9.6-in x 12-in)
Processor System	CPU	- Socket LGA1155 for Intel Core i7/i5/Celeron (SNB and Ivy Bridge)
	Core Number	- (By CPU, Max 4)
	Max Speed	- (By CPU)
	L3 Cache	- (By CPU)
	Chipset	- Q77
	BIOS	- UEFI
Expansion Slot	PCI	- 4
	PCIe	- 1 (x16) + 1 (x4) + 1 (x1)
	Mini-PCIe	- 1
	CF Card Socket	- 0
	CFast card socket	- 1
Memory	Technology	- Dual Channel DDR3 1066/1333/1600 MHz SDRAM
	Max.	- 32GB
	Socket	- Long DIMM x 4
Graphics	Controller	- Intel HD Graphics (By CPU)
	VRAM	- Shared Memory
	VGA	- Support max resolution 2048x1536
	LVDS	- N/A
	HDMI	- Support HDMI 1.4a, max resolution 1920x1200
	DVI	- N/A
	Display Port	- Support max resolution 2560x1600
	Multi Display	- Yes
	Ethernet	Interface
Controller		- GbE LAN1: Intel 82579LM/V, LAN2: Intel 82583V
Connector		- RJ-45 x 2
SATA	Max Data Transfer Rate	- SATA2 X2 (3.0Gb/S), SATA3 X2 (6.0Gb/S), Support RAID 0/1/5
Rear I/O	VGA	- 1
	HDMI	- 1
	DVI-I/D	- 0
	Display Port	- 1
	Ethernet	- 2
	USB	- 6 (USB 2.0 x4, USB 3.0 x2)
	Audio	- 3 (Mic-In, Line-Out, Line-In)
	Serial	- 2 (RS-232/422/485)
	PS/2	- 1 (Combo)
	Internal Connector	USB
LVDS/inverter		- 0
VGA		- 1
Serial		- 4 (RS-232)
SATA		- 4 (SATA2 X2, SATA3 X2), Support RAID 0/1/5/10
m-SATA		- 1
Mini-PCIe		- 1 (Support half-size card)
Parallel		- 1
IrDA		- 0
GPIO		- 4 x GPI + 4 x GPO
SATA PWR Output Con		- 2
Speaker Header		- 1
Watchdog Timer	Output	- Output from super I/O to drag RESETCON#
	Interval	- 256 Segments, 0,1,2...255 Sec/Min
Power Requirements	Input PWR	- ATX PWR (8 + 24)
	Power On	AT/ATX Supported AT : Directly PWR on as power input ready ATX : Press button to PWR on after power input ready
Environment	Temperature	- 0°C – 60°C

Board Diagram

IBM-770 R1.00



IPC Motherboards Focused Markets

ASRock IMB solutions can be widely used for industrial applications, such as process control, data acquisition, and so on. IMB-PCs are typically panel mounted and often incorporate touch screens for user interaction.

