

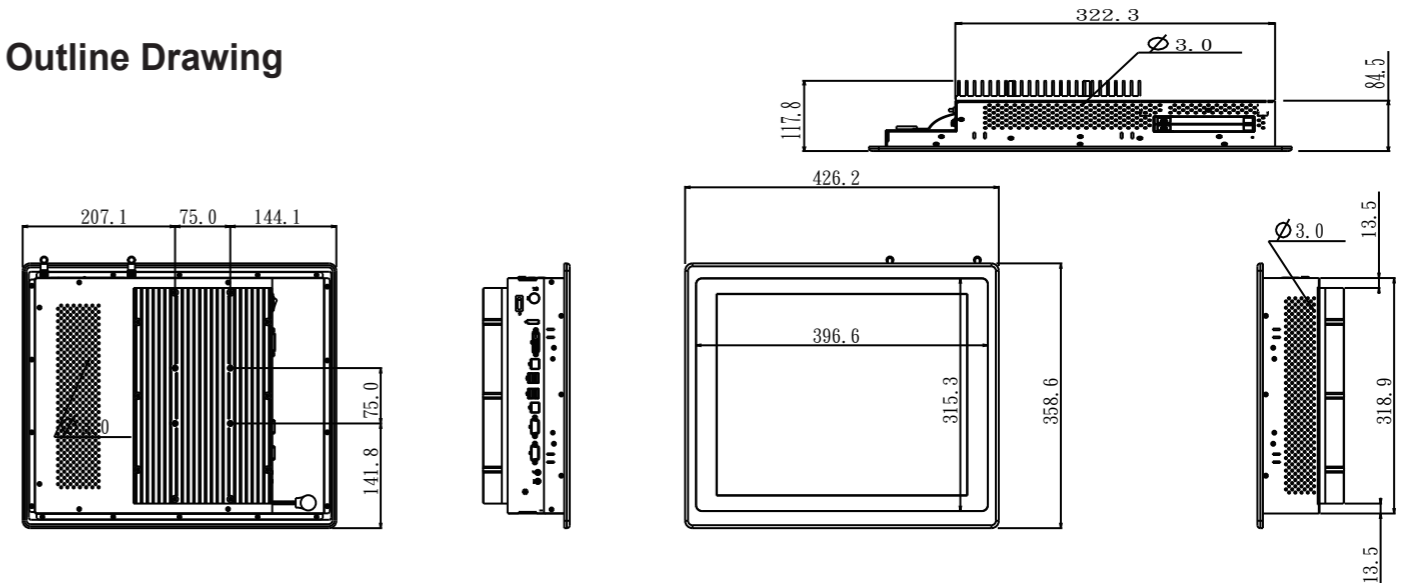


Key Features

- 17" Intel skylake Fanless Industrial Panel PC
- Low power and true fanless thermal solution
- 17" LCD with full flat touch screen
- Support Intel vPro technology by CPU
- IP66 in front water/dust proof bezel
- Panel mount capability
- CE, FCC, VCCI Class B passed
- Optional Mini-PCIe WLAN with external antenna



Outline Drawing



Main System

CPU	Intel® Core i5-6500TE Processor (6M Cache, up to 3.30 GHz)
Graphics	Intel® Q170 Chipset (Intel® GL82Q170 PCH)
VGA	Intel® integrated HD Graphics 530
Memory	Two 2133 MHz DDR4 SODIMM socket support dual Channel, non-ECC, up to 32 GB

I/O & Power & Control Keys

USB	USB 3.0 x 4
COM	DB-9 x 2 (RS232 x 1, RS232/422/485 x 1)
LAN	RJ-45 x 2, Gigabit
Audio	Line-out, Microphone-in (3.5 mm phone-jack)
Video output	DP x 1 + DVI x 1
Power input	DC-in x 1, 12V
Power adaptor	External, 100 watts, universal 100 ~240V AC in, 12V DC out, 8.33A
Power consumption	84.04 W (MAX. Loading without adapter)
Control keys	Rear bottom: Power on/off, reset

LCD Panel

Size	17" 4:3
Brightness	350 nits
Resolution	SXGA (1280 x 1024)
Color numbers	16.2M colors
Viewing angle	R/L 170(Typ.), U/D 160(Typ)
Contrast	1000:1

Options

- Wireless or Wireless + BT kit (2 Dipole ant)
- DC input power plug (black, 1.22m length)
- 2.5" SSD
- mSATA Module
- 2 Swappable HDD cassette
- Stainless front bezel
- Silver front bezel
- Anodized aluminum front bezel
- Change full flat resistive touch to P-Cap touch (BKPT)

Customization

- Open frame housing
- Chassis type housing
- Sunlight readable optical bonding
- LCD Auto dimming
- LCD Super dimming (Low brightness)

Touch Panel

Type	Full Flat resistive touch screen
Light transmission	81±3%
Hardness	3H

Mechanical & Environmental

Housing	Front bezel is Aluminum, others are SECC
IP rating	Front IP66
Cooling	Fanless
Dimension	426.2 X 358.6 X 117.8 mm (W x H x D, panel mount)
Weight (net)	8.2 Kg (approximate, w/o power adaptor)
Temperature	· 12V DC Input 0~35°C · Storage: -20°C~60°C
Humidity	Operating & storage – 10%~90%, non-condensing
Regulatory	FCC, CE(EMC), VCCI Class B, UL/cUL

Storage & Expansion

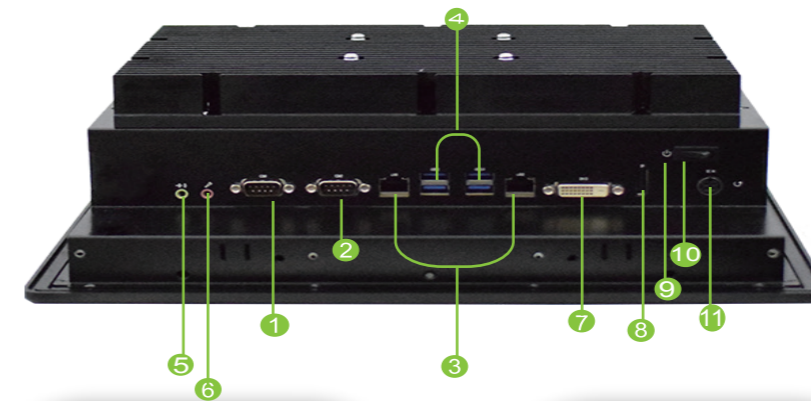
HDD	2.5" SATA drive bay x 1
------------	-------------------------

Operation system:

1. Windows 10 (64bit)
2. Windows 8 embedded, Windows 8 industrial (64bit)
3. Windows 7 embedded, Windows 7 pro (64bit, 32 bit)

Ordering Information

WLP-7F20-17(BKFT)	R-Touch	Core i5-6500TE / DDR4 8G RAM / 500G HDD
WLP-7F20-17(BKFT)	R-Touch	Core i5-6500T / DDR4 8G RAM / 500G HDD



- ① RS232/422/485
- ② RS232
- ③ LAN x 2
- ④ USB 3.0 x 4
- ⑤ Line out
- ⑥ Microphone-in
- ⑦ DVI output
- ⑧ DP x 1
- ⑨ Reset
- ⑩ Power on/off
- ⑪ DC-in

