

WTP-9A66-15

15" Intel Core i Stainless Full IP66 Fanless Panel PC



Intel 3rd gen. CPU



Waterproof
Full IP66



Fanless



Stainless



Key Features

- High strength stainless anti-corrosion housing
- IP66 full sealed enclosure
- True fanless design
- Intel Ivy-bridge Core i5-3317U
- 15" LCD with full flat touch screen
- i-Cooling smart thermal control (patent pending)
- M12 metal with IP68 connectors
- IP67 power adapter and IP67 external I/O cables
- Special thermal design with anti-water condensation
- Optional Mini-PCIe WLAN with external antenna
- Optional stainless wall mount or table mount kit

Main System

CPU	FCBGA1023 3rd gen. Intel® Core i7/i5/i3/Celeron® processor (17W max.)
Chipset	Intel HM65
Graphics	Intel® integrated HD Graphics 4000
Memory	Two 1333/1600 MHz DDR3 SODIMM socket support dual Channel, non-ECC, up to16GB
Serial ATA	SATA III controller (6.0 Gb/sec) Port x 2
USB	USB 2.0 x 4 USB 2.0 x 1 (3.3 V)
Serial port	RS232 x 4
Audio	None
LAN	Marvell 88E8071 Giga LAN x 2
WDT	Generates system reset; 256 segments, 0, 1, 2...255 sec/min.
BIOS	Brand: AMI Flash ROM size: 32 Mb Support RTC wakeup /Wake on LAN /Power on after power failure/ PnP/ACPI/RTC

LCD Panel

Size	15" 4:3
Resolution	1024 x 768 (XGA)
Brightness	400 nits
Contrast	600:1
Color numbers	16.7M colors (RGB 6bit + HiFRC)
Viewing angle	160 (H) / 160 (V)
Response time	8 ms (R + F)
Backlight	LED, 50,000 hours life time

Touch Panel

Type	Full Flat Resistive touch, 5-wire
Light transmittance	80±5%
Hardness	4H
Touch stylus	No Limitation, can use any stylus
Resolution	4096 x 4096
Life time	35 million times

Storage & Expansion

HDD 2.5" SATA HDD drive bay x 1

Expansion slot Mini PCIe x 2

I/O & Control Keys

USB 1 x M12 8pin for USB 1/2
1 x M12 8pin for USB 3/4

COM 1 x M12 8pin for COM 1/RS-232
1 x M12 8pin for COM 2/RS-232

LAN 1 x M12 8pin for LAN 1

Power input 1 x M12 5pin DC power connector, DC7V~32V

Control keys Rear bottom: Power on/off, reset

Power

Power adaptor AC 90 ~ 264V / 47 ~ 63 Hz / DC output 12V, IP67, 60W

Power consumption 45.838 W (MAX. Loading without adaptor)

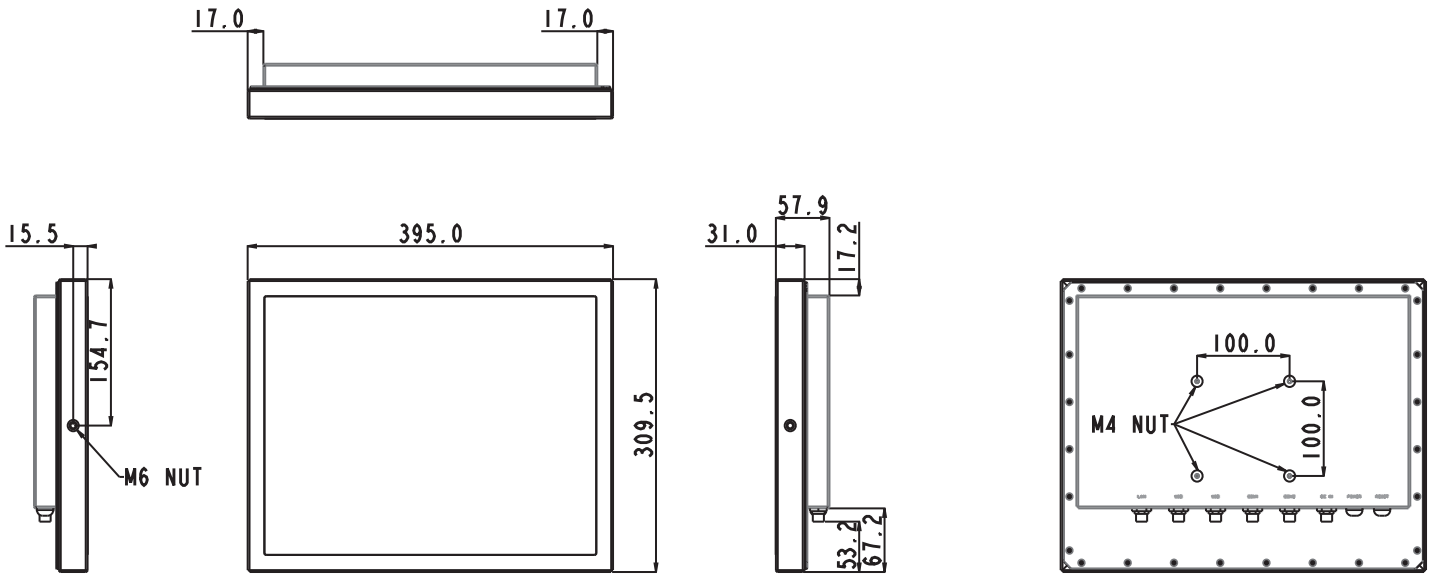
Mechanical & Environmental

Housing	Stainless steel (SUS304), chassis type
IP rating	IP66 whole set (include the I/O connectors & control keys)
Cooling	Fanless
Mounting	VESA 100x100 mm and side mount (M6*2)
Dimension	395 x 309.5 x 58 mm (W x H x D, not include I/O connectors)
Weight	8.4 Kg (net)
Temperature	Operating – 0°C~40°C (air flow cooling) Storage – -20°C~60°C
Humidity	Operating & storage – 10%~90%, non-condensing
Regulatory	FCC, CE (EMC), VCCI Class B

WTP-9A66-15

15" Intel Core i Stainless Full IP66 Fanless Panel PC

Outline Dimension



Packaging & Options

Packaging System, power adaptor, AC power cord,
DVD (drivers & manual)

Options

- Wireless or Wireless + BT kit (2 ant)
- M12 to 1x COM cable
- M12 to 1x USB cable (1 USB Port)
- M12 to 2x USB cable (2 USB Port)
- M12 to 1x LAN cable
(cable length is 2 meters, Waterproof)
- SSD
- Wall mount / table mount bracket
- Intel Core i7-3517U
- 2 External LAN (USB x2, LAN x2, COM x1)

Customization

- 1000 nits high brightness LCD
- Sunlight readable optical bonding
- Anti UV and 7H coating
- Full flat PCT touch screen IP69K
- LCD Auto dimming
- LCD Super dimming (Low brightness)

I/O & Control Keys

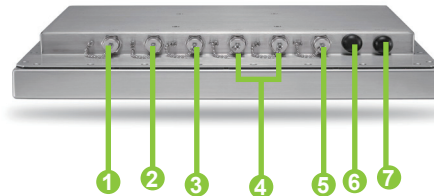


Table Mount



Wall Mount

Ordering Information

- CPU: Core i5-3317U (default) / Core i7-3517U · Memory: 2G / 4G / 8G / 16G · HDD: 320G / 500G · SSD: None / x 1
- LAN / USB / COM Cable : None / x 1 · WLAN: None / x 1 · WLAN + Bluetooth: None / x 1
- Stainless steel side mount bracket: None / wall mount / table mount · LAN: x1 / x2



Wincomm Corporation

3F, NO. 14, Prosperity Road II, Science-Based Industrial Park,
Hsinchu, Taiwan 30078, R.O.C
Tel : +886 3 578 0000 Fax: +886 3 578 0295

Web: www.wincomm.com.tw

Contact: sales_support@wincomm.com.tw