

WMP-22H

Medical Cart Panel PC Swappable Battery

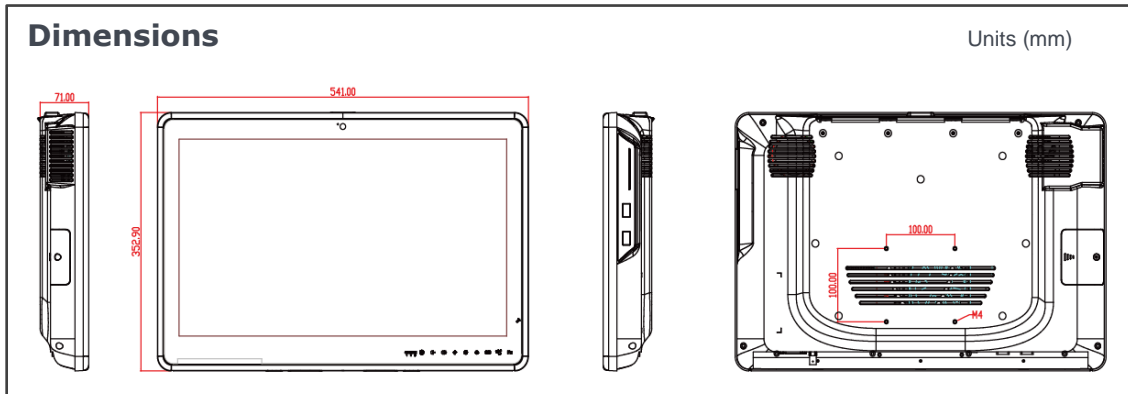


Features

- Intel® 7th generation Core i7/i5/i3/Celeron processor
- Highest Level EMC 4.0/ Safety 3.1 Certification Ready
- Integrated Hot-Swappable Batteries, 24/7 Run-Time
- MXM 3.0 Module by Project Support
- Support Intel vPro by Optional i7/i5 CPU
- M.2 2280 NVMe SSD as Drive Disk
- Support i-Control Management for Power /Thermal /Battery
- FHD Capture Card as Option
- Low Noise Smart Fan Solution

Specification

Model	WMP 22H IPOA (STD)	WMP 22H IPOB (USB3.1)	WMP 22H IPOC (ISO)
CPU / Chipset	LGA1151 package 7th generation Intel® Core i7/i5/i3/Pentium/Celeron processor , Optional Vpro by Core i7/i5 CPU/ Intel® Q170 Chipset		
Graphic	Intel® integrated HD Graphics 630		
RAM	Two 2400 MHz DDR4 SODIMM socket support dual Channel, non-ECC, up to 32GB		
OS Support	Optional Win 10 IoT Enterprise		
Storage	M.2 SSD 2280 up to 512GB, Optional Second Storage 2.5" SSD or HDD up to 512GB		
Expansion	PCI-E (x4) x1, Mini PCIe x1, M.2 Type E x1 Optional Network Interface: 802.11 ac/a/b/g/n WLAN + Bluetooth 4.1 module		
Display Size	21.5" wide TFT-Color LCD (16:9)		
Display	1920 x 1080 (Full HD), 16.7M colors (MVA, 8 bit), 178(H) / 178(V), 250 nits (Typ. Center point), CR:3000 : 1 (Typ)		
Touch Screen	Full flat projective capacitive touch panel / Light Transmission: 90% ± 3% / Hardness: 7H pencil, pressure 750g/45° / Life: 100M times		
USB	USB3.0 x 4, Optional Side USB3.0 X 2 (via Mini PCIe)	USB3.0 x 4, USB 3.1 Gen. II X 2, Optional Side USB3.0 X 2 (via Mini PCIe)	USB3.0 x 4, ISO USB2.0 X 1, Optional Side USB3.0 X 2 (via Mini PCIe,)
COM	RS-232 x 1, RS232/RS422/RS485 X 1	RS-232 x 1, RS232/RS422/RS485 X 1	ISO RS-232 x 1, ISO RS232/RS422/RS485 X 1
LAN	RJ45 X 2	RJ45 x 2	RJ45 x 2, ISO LAN x 2
Audio/ Video	3.5mm phone jack connector * 2 (Line-out, Mic-In)/ DP x 2		
Reading light	Light bar x 2		
Control Hot Key (R to L)	Battery LED Indicator; Power; Audio Volume; Brightness; Reading Light; LCD Light On/Off; Clean Me; Programmable Function		
Cooling	Smart Fan		
Battery Pack	Optional DR-202W2, Li-ion Battery 10.8V 7500mAh x3		
Power Input / Consumption	DC-In x 1, DC 14~28V input / 174 W (Full loading)		
Power Adapter	AC input 100~240V / 47 ~ 63 Hz / DC output 24V		
Temperature	Operating Temperature: 0~40°C (chamber) / Storage Temperature: -20~60°C		
Humidity	Operating & Storage:10 ~ 90%, non-condensing		
IP Rating / Housing	IP65 (Front Side) / Front: Full flat design/ Touch (standard)/ Glass(customized); Rear: Plastic White w/Anti-bacteria (MRSA), Housing		
Dimensions (Net)	541.0mm (H) x 352.9mm (V) x 64mm (T)		
Weights (Net)	7.5 kg (w/o power adapter/battery pack)		
Mounting	Optional Stand, VESA 100		
Certification	cULus/EN/UL/60601-1, 60601-1-2 4 th Edition, IEC62133, FCC/CE/VCCI Class B, Energy Star 6.1		



Major Options	
Add On Parts	1.5M AF Webcam, 2.TPM 2.0 module, 3.Smart card reader, 4.RFID (13.56MHz), 5.AG Film, 6.802.11 ac/a/b/g/n WLAN + Bluetooth 4.1 module , 7. 2.5" HDD or SSD module, 8. Equipotential Terminal Pin, 9. Full HD capture card, 10. USB 3.0 x 2 at side (Type A) via miniPCIe module, 11.USB3.1 gen2 (USB 5,6) 12. Windows 10 IoT Enterprise, 13. DICOM part 14 compliance module, 14. Independent GeForce GTX 1050 graphic with 4GB dedicated video memory (Support i7/i5 CPU)
Power Cable	Isolated 4KV module: 4KV Isolated USB 2.0 connector x 1 4KV Isolated gigaLAN connector x 1 4KV Isolated COM connector x 2 (one is RS-232, one is RS-232/422/485)
Optional kits	1.Anti-bacteria Stand, 2.VESA Wall Mount
Customized	1.Temper Glass; 2.COM Port support 5V1A

Order Information

Item	Configuration
WMP-22H-IP0A-i5	Core i5-7500T 2.7GHz / 4G RAM / 128G SSD / Full flat P.cap touch / STD
WMP-22H-IP0B-i5	Core i5-7500T 2.7GHz / 4G RAM / 128G SSD / Full flat P.cap touch / USB3.0
WMP-22H-IP0C-i7	Core i5-7700T 2.9GHz / 4G RAM / 128G SSD / Full flat P.cap touch / ISO

