

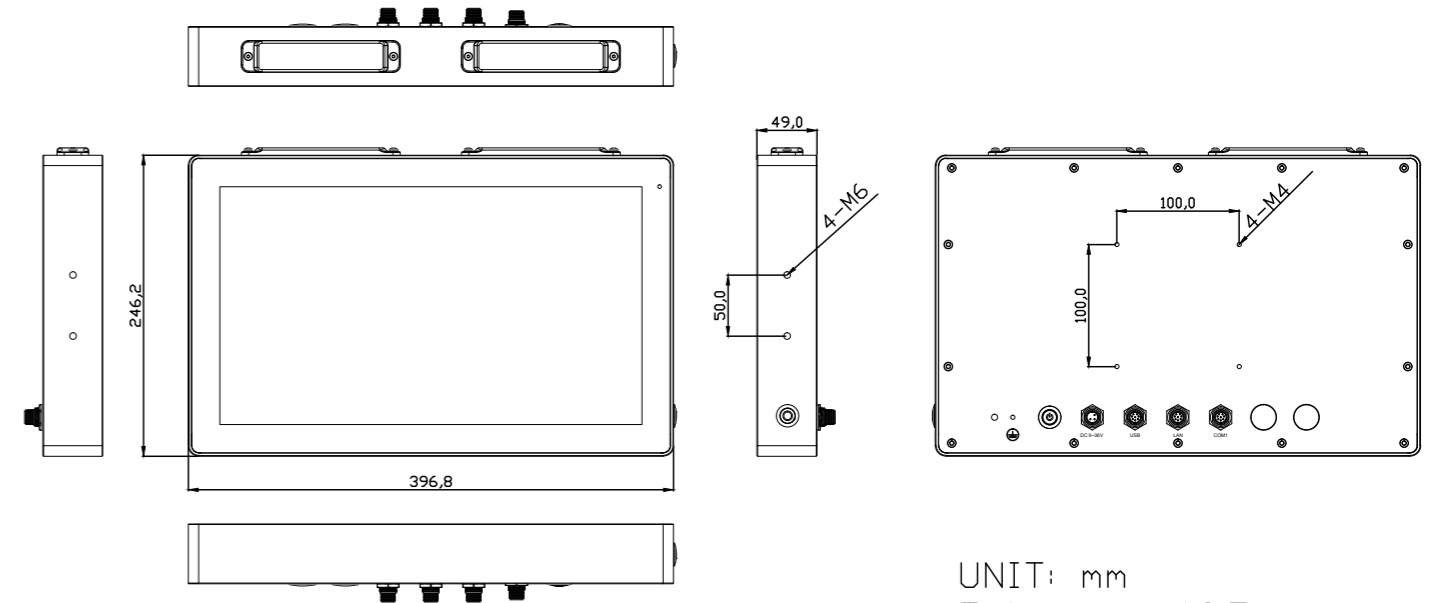
**Features**

- 15.6" Fanless Stainless Steel Panel PC
- Intel Alder Lake-N Processor
- True Flat Front Bezel Design and Grade 304 Stainless Steel Enclosure (Grade 316 for Option)
- Support Projective Capacitive Touch
- Touch on/off Button on the Side Edge for Hygienic Cleaning
- IP66/IP69K Rated with M12 Connectors
- DC 9~36V Wide Ranging Power Input
- Support Ergonomic Versatile Mounting: Yoke Mount / VESA Mount

**Specifications**

System		
CPU	Intel N97 Processor, Quad Core 2.0GHz, TDP is 12W Intel Atom x7425E, Quad Core 1.5GHz, TDP is 12W	
System Chipset	SoC	
BIOS	AMI UEFI	
System Memory	1 x DDR5-4800MHz SO-DIMM, up to 32GB	
I/O Port		
USB	1 x M12 8-pin for 2 x USB 2.0 with Waterproof cap and chain	
Serial/Parallel	1 x M12 8-pin for COM, RS-232/422/485 (Default RS-232) with Waterproof cap and chain	
LAN	1 x M12 8-pin for 2.5GbE LAN with Waterproof cap and chain	
Others	1 x Touch on/off button at the side	
Power Connector	1 x M12 3-pin for Power Input	
Storage Space		
HDD/SSD	1 x M.2 2280 M-Key socket (SATA 3.0 and PCIe 3.0 x1), Default is SATA Type 1 x 2.5" SATA3 SSD as optional	
Expansion		
Optional I/O Ports	2 x M12 Blank for Option (Select one from each type) : • 2 x USB 2.0 • 1 x USB 3.2 Gen1 • 1 x 2.5GbE LAN • 1 x COM Port • 1 x HDMI	
Expansion slots	1 x M.2 2230 E-Key (USB 2.0, PCIe x1) for optional Wi-Fi/BT Module 1 x M.2 2242/3402/3052 B-Key (PCIe x1, USB 3.2 Gen1, USB 2.0) for optional LTE/5G Module	
Others		
TPM	Onboard TPM2.0	
Watchdog Timer	1~255 sec (system)	
Wake on LAN	Support WOL	
Display		
	<b>Standard</b>	<b>High Brightness Optional</b>
Display Type	15.6" TFT-LCD	15.6" TFT-LCD
Max. Resolution	1920 x 1080	1920 x 1080
Max. Color	16.2M	16.7M
Luminance (cd/m <sup>2</sup> )	350	1000
View Angle	170(H)/170(V)	178(H)/178(V)
Contrast	800:1	800:1
Backlight Lifetime	30,000 hrs	50,000 hrs
Touch Screen		
Type	Projected Capacitive Touch	
Interface	USB	
Light Transmission(%)	90%	

**Dimensions**



UNIT: mm  
Tolerance:±0.5

Power	
Power Input	DC 9~36V
Power Consumption	TBD
Mechanical	
Construction	SUS304 Stainless Steel Chassis (default), SUS316 Stainless Steel Chassis (optional)
Mounting	VESA Mount 100 x 100, Yoke Mount for optional
IP Rating	Total IP66/IP69K
Dimensions(mm)	396.8 x 246.2 x 49 mm
Net Weight(kgs)	6.06 kg
Environmental	
Operating Temperature	Standard: -20~60°C (ambient w/ air flow and WT RAM/SSD) High Brightness: 0~50°C (ambient w/ air flow)
Storage Temperature	-30~70°C
Humidity	10 to 95% @ 40°C, non-condensing
Certification	CE/FCC Class A
Operating System Support	
Windows 10 IoT Enterprise 2021 LTSC or later, Windows 11 (21H2) or later Linux 24.04 or later	
Ordering Information	
NuTAM-816CP	15.6" FHD fanless IP66/IP69K stainless steel panel pc, Intel Alder Lake-N CPU, 1 x SO-DIMM DDR5 slot, 128GB TLC SSD, projected capacitive touch, 9~36V DC power input with Adapter
NuTAM-816CPH	15.6" FHD High Brightness fanless IP66/IP69K stainless steel panel pc, Intel Alder Lake-N CPU, 1 x SO-DIMM DDR5 slot, 128GB TLC SSD, projected capacitive touch, 9~36V DC power input with Adapter