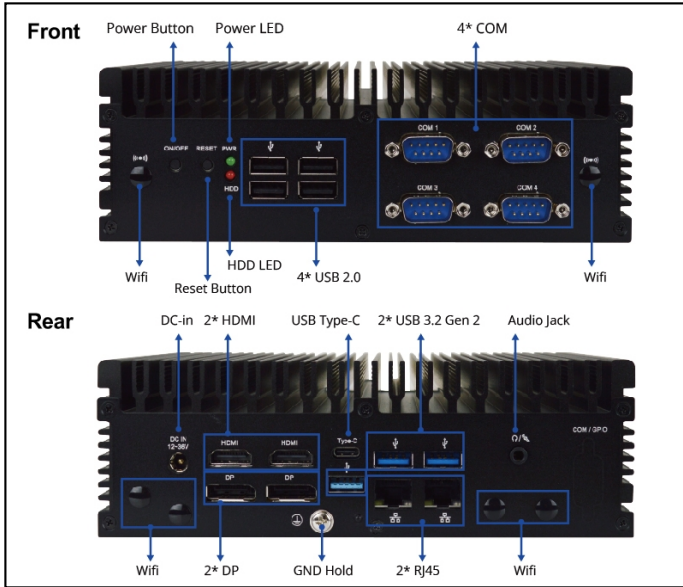


B382FRPU1



Performance

Fanless Embedded System onboard with Intel® 13th Gen Core™ i5-1335U/1335UE



Features

- Onboard with Intel® 13th Gen Core™ i5-1335U/1335UE (Formerly Raptor Lake-P, TDP 15W)
- High-Speed Networking: 2 x 2.5GbE for fast and reliable connectivity
- Storage & Expansion: 1 x SATA III, 1 x M.2 E-Key, 1 x B+M Key paired with 1 x Nano SIM Slot
- Flexible Storage: 1 x M.2 M-key 2242/2280 (SATA III), 1 x M.2 M-key 2280
- Comprehensive I/O: 4 x RS485/422/232, 3 x USB 3.2 Gen 2, 4 x USB 2.0, 2 x RJ45
- Versatile Mounting: Supports desktop, wall mount, and DIN rail installation

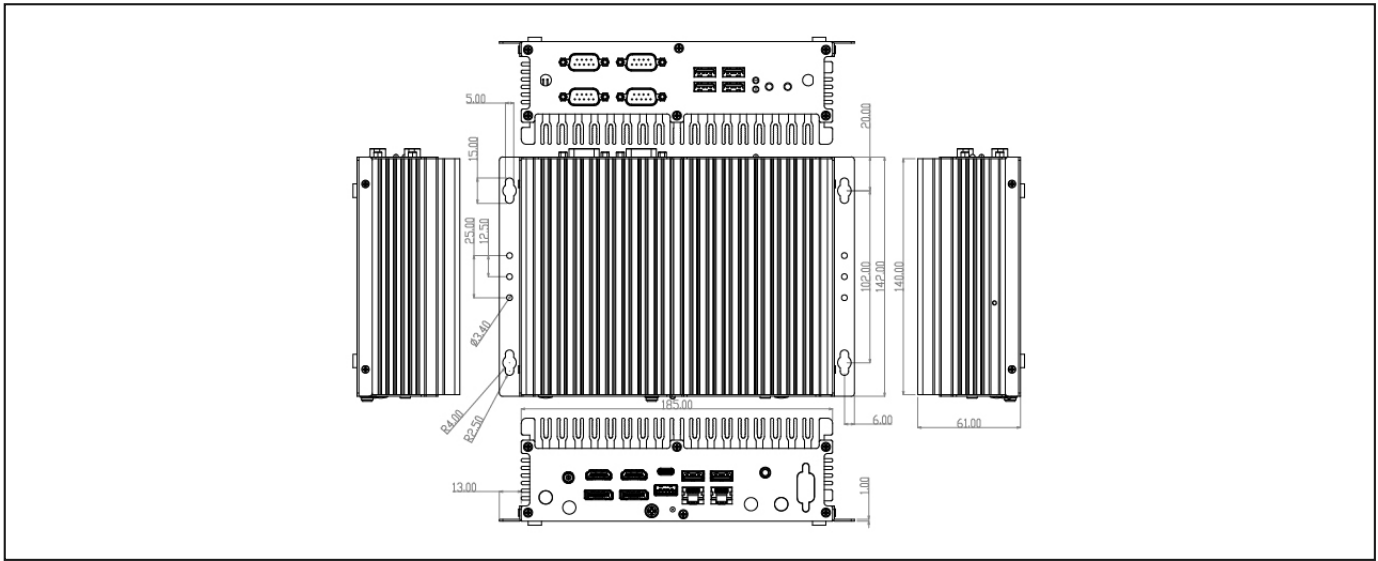
Packing List

PART NUMBER	DESCRIPTION	QTY
B382FRPU1	B382FRPU1 Barebone	1
HCS370MWM01B-2-F	Wallmount Kit	2
HCS3XXDINRAILPS-F	Brackets DIN RAIL KITS	2
L01AS062-F	Lockable Adapter 19V/4.74A 90W	1
LCSCHJIC3XX-F	Screw Pack	1
Change according to shipping area	Power Cord (Region Specific)	1

Specifications

SYSTEM	
MB FORM FACTOR	3.5"
CPU	Onboard Intel® 13th Gen Core™ i5-1335U (Formerly Raptor Lake-P, TDP 15W) Onboard Intel® 13th Gen Core™ i5-1335UE (Formerly Raptor Lake-P, TDP 15W)
CHIPSET	Intel® SoC
MEMORY	2 x DDR5 4800MHz, Dual Channel SO-DIMM, up to 64GB
BIOS	UEFI
WAKE ON LAN	Yes
WATCHDOG TIMER	255 Levels
SECURITY	TPM2.0
RTC BATTERY	Lithium Battery
OS SUPPORT	Windows® 11 (64bit) Windows® 10 (64bit) Linux
POWER	
POWER REQUIREMENT	DC-in 12-36V 90W Adapter: AC90-240V, DC19V/4.7A
POWER ON MODE	AT / ATX (Default) Mode
DISPLAY	
GPU	Intel® Iris® Xe Graphics
Type C DP	1 x Type C DP1.4 (Max Resolution: 4096 x 2160@60Hz)
DP	2 x DP1.4 (Max Resolution: 4096 x 2160@60Hz)
HDMI	2 x HDMI 2.0b (Max Resolution: 4096 x 2160@60Hz)
MULTIPLE DISPLAY	Support 4 Displays
AUDIO	
CODEC	Realtek Audio Codec
AMPLIFIER	3W
LAN	
ETHERNET	1 x RJ45 for Intel® I226-V 2.5GbE 1 x RJ45 for Intel® I226-LM 2.5GbE
SYSTEM I/O	
REAR PANEL I/O	4 x Antenna Holes 1 x DC-in (Lockable) 2 x HDMI 2.0b 2 x DP 1.4 3 x USB 3.2 Gen 2 1 x USB 3.2 Gen 1 Type C 2 x RJ45 1 x Audio (Line out, MIC) 1 x GND Hold
FRONT PANEL I/O	1 x Power Button 1 x Reset Button 1 x Power LED 1 x HDD LED 4 x USB 2.0 4 x RS-232/422/485
STORAGE	
SATA	1 x 2.5" SATA III 6Gb/s internal drive bay (Max. Height 9.5 mm)
EXPANSION	
M.2	1 x B+M-Key 2242 (SATA/PCIe 3*1) for SSD 1 x M-Key 2242/2280 (PCIe 4.0 x4) support NVMe 1 x E-Key 2230 (USB 2.0/PCIe 3.0 x1) Support CNVi
SIM	1 x Nano SIM Card Slot
MECHANICAL	
MOUNTING	Desktop, Wallmount, Din Rail
DIMENSIONS (W x D x H)	185.0 (W) x 142.0 (D) x 61.0 (H) mm (7.28" x 5.6" x 2.4")
NET WEIGHT	3.5 kg
ENVIRONMENT & CERTIFICATION	
OPERATING TEMPERATURE	-20°C ~ 60°C (-4°F ~ 140°F)
STORAGE TEMPERATURE	-40°C ~ 85°C (-40°F ~ 185°F)
OPERATING HUMIDITY	10 ~ 90% Relative Humidity, Non-condensing
CERTIFICATION	CE/FCC Class A LVD
ESG DECLARATION	China RoHS CMRT Report TSCA Declaration WEEE REACH

Dimension Unit: mm



Ordering Information

PART NUMBER	B382FRPU1-A111	B382FRPU1-A211	B382FRPU1-A311	B382FRPU1-A411
CPU	Intel® Core™ i5-1335U	Intel® Core™ i5-1335U	Intel® Core™ i5-1335UE	Intel® Core™ i5-1335UE
MEMORY	2 x DDR5 SO-DIMM, up to 64GB	2 x DDR5 SO-DIMM, up to 64GB	2 x DDR5 SO-DIMM, up to 64GB	2 x DDR5 SO-DIMM, up to 64GB
SECURITY	Intel® PTT (fTPM)	TPM2.0	Intel® PTT (fTPM)	TPM2.0
POWER REQUIREMENT	DC-in 19V	DC-in 19V	DC-in 19V	DC-in 19V
GPU	Intel® Xe Graphics	Intel® Xe Graphics	Intel® Xe Graphics	Intel® Xe Graphics
TYPE C DP	1 x Type C DP	1 x Type C DP	1 x Type C DP	1 x Type C DP
HDMI	2 x HDMI	2 x HDMI	2 x HDMI	2 x HDMI
MULTIPLE DISPLAY	Support 4 Displays	Support 4 Displays	Support 4 Displays	Support 4 Displays
ETHERNET	2 x 2.5GbE	2 x 2.5GbE	2 x 2.5GbE	2 x 2.5GbE
I/O	4 x WIFI ANT	4 x WIFI ANT	4 x WIFI ANT	4 x WIFI ANT
I/O	1 x DC Jack	1 x DC Jack	1 x DC Jack	1 x DC Jack
I/O	2 x HDMI	2 x HDMI	2 x HDMI	2 x HDMI
I/O	2 x DP	2 x DP	2 x DP	2 x DP
I/O	3 x USB 3.2 Gen 2	3 x USB 3.2 Gen 2	3 x USB 3.2 Gen 2	3 x USB 3.2 Gen 2
I/O	1 x USB 3.2 Gen 1 Type C	1 x USB 3.2 Gen 1 Type C	1 x USB 3.2 Gen 1 Type C	1 x USB 3.2 Gen 1 Type C
I/O	2 x RJ45	2 x RJ45	2 x RJ45	2 x RJ45
I/O	1 x Audio (Line-out, MIC)	1 x Audio (Line-out, MIC)	1 x Audio (Line-out, MIC)	1 x Audio (Line-out, MIC)
I/O	1 x GND Hold	1 x GND Hold	1 x GND Hold	1 x GND Hold
I/O	1 x Power Button	1 x Power Button	1 x Power Button	1 x Power Button
I/O	1 x Reset	1 x Reset	1 x Reset	1 x Reset
I/O	1 x Power LED	1 x Power LED	1 x Power LED	1 x Power LED
I/O	1 x HDD LED	1 x HDD LED	1 x HDD LED	1 x HDD LED
I/O	4 x USB 2.0	4 x USB 2.0	4 x USB 2.0	4 x USB 2.0
I/O	4 x COM	4 x COM	4 x COM	4 x COM
SATA	1 x 2.5" SATA Device	1 x 2.5" SATA Device	1 x 2.5" SATA Device	1 x 2.5" SATA Device
M.2	1 x M-Key 2242/2280	1 x M-Key 2242/2280	1 x M-Key 2242/2280	1 x M-Key 2242/2280
M.2	1 x E-key 2230	1 x E-key 2230	1 x E-key 2230	1 x E-key 2230
M.2	1 x B-key 3042/3052	1 x B-key 3042/3052	1 x B-key 3042/3052	1 x B-key 3042/3052
M.2	1 x B+M-Key 2242	1 x B+M-Key 2242	1 x B+M-Key 2242	1 x B+M-Key 2242
OPERATING TEMPERATURE	-20°C - 60°C (-4°F - 140°F)	-20°C - 60°C (-4°F - 140°F)	-20°C - 60°C (-4°F - 140°F)	-20°C - 60°C (-4°F - 140°F)