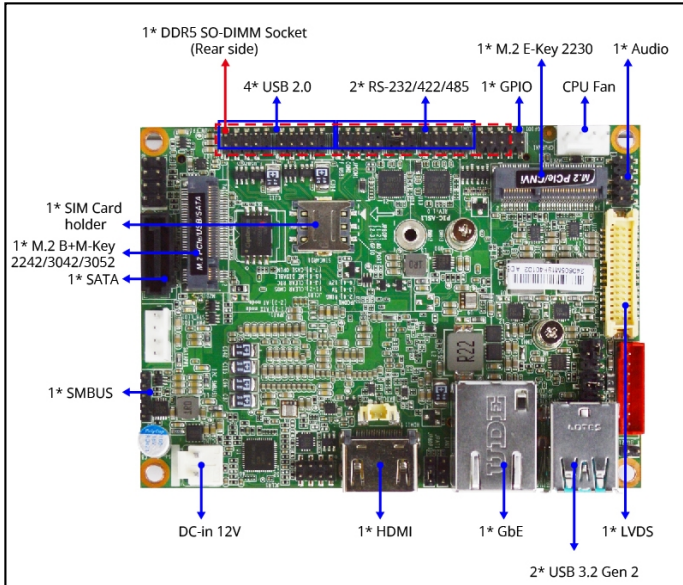


Pico-ITX Motherboard with Intel Atom® Processor X Series, dual display, comprehensive I/O, and wide temperature range.



Features

- Powered by Intel® x7213RE/x7433RE Processor (Formerly Amston Lake)
- High-Performance Memory: Supports DDR5 SO-DIMM, up to 32GB
- Dual Display Support: 1 x HDMI® for 4K display and 1 x LVDS Co-lay with eDP
- Storage & Expansion: 1 x SATA III, 1 x M.2 E-Key, 1 x B+M Key paired with 1 x Nano SIM Slot
- Comprehensive I/O: 2 x USB 3.2 Gen2, 4 x USB 2.0, 2 x RS-232/422/485
- Enhanced Security: Supports Intel fTPM
- Wide Operating Temperature: from -20 ~ 60°C for different Industrail application

Packing List

PART NUMBER	DESCRIPTION	QTY
PIC-ASL1	PIC-ASL1 MB	1
F05-PICO-01-F	Heatsink	1
G01-COM-H2M22-1F	COM Cable, Length = 220mm	1
G01-PWDCJK-2P20-F	Phoenix DC Cable, Length = 200mm	1
F07-FN606010-F	Fan (with PIC-ASL1-74330010)	1

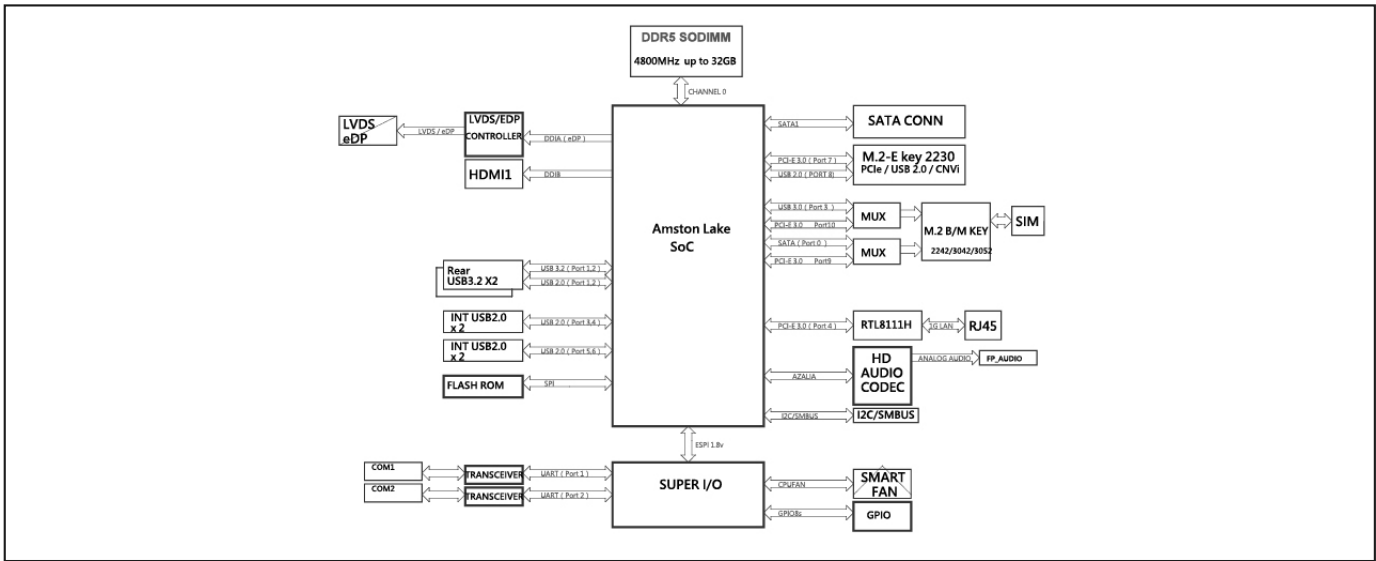
Optional Accessory

PART NUMBER	DESCRIPTION	QTY
-	-	

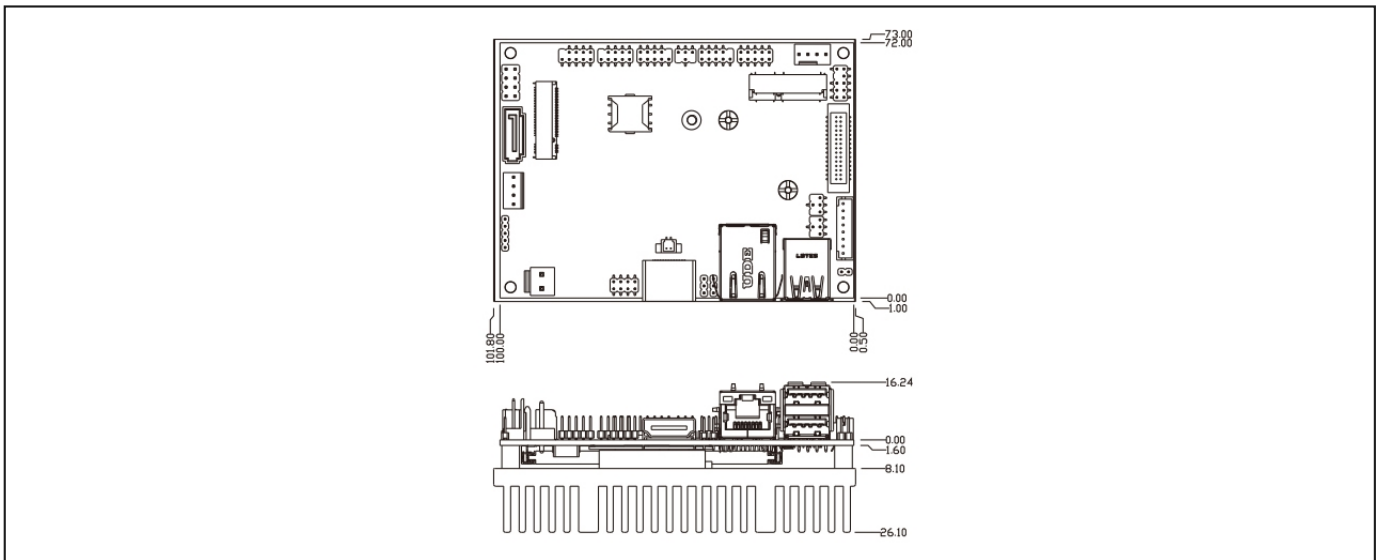
Specifications

SYSTEM	
MB FORM FACTOR	Pico-ITX
CPU	Onboard Intel Atom® x7213RE Processor (Formerly Amston Lake, TDP 9W) Onboard Intel Atom® x7433RE Processor (Formerly Amston Lake, TDP 9W) For additional compatible CPUs, please contact regional sales
CHIPSET	Intel® SoC
MEMORY	1 x DDR5 4800MT/s, Single Channel SO-DIMM, up to 32GB
BIOS	UEFI
WAKE ON LAN	Yes
WATCHDOG TIMER	255 Levels
SECURITY	Intel® PTT (Integrated fTPM)
RTC BATTERY	Lithium Battery
DIMENSION (W X D)	100.0 (W) x 72.0 (D) mm (3.9" x 2.8")
OS SUPPORT	Windows® 11 (64bit) Windows® 10 (64bit) Linux
POWER	
POWER REQUIREMENT	DC-in 12V
POWER ON MODE	AT / ATX (Default) Mode
CONNECTOR	Internal 2-pin Header
DISPLAY	
GPU	Intel® UHD Graphics
LVDS	1 x 24-bit Dual Channel LVDS (Max. Resolution: 1920 x 1080 @60Hz / Co-Lay eDP)
HDMI®	1 x HDMI® 2.0b (Max Resolution: 4096 x 2160@60Hz)
MULTIPLE DISPLAY	Support 2 Displays
AUDIO	
CODEC	Realtek Audio Codec
Line-out	Internal Header for Line-Out
MIC-in	Internal Header for MIC-In
LAN	
ETHERNET	1 x RJ45 for Realtek® RTL8111H GbE
USB PORT	
USB	2 x USB 3.2 Gen 2x1 (10Gbps, Formerly USB 3.1 Gen 2) Internal Header for 4 x USB 2.0
SERIAL PORT	
COM	Internal Header for 2 x RS-232/422/485
INTERNAL I/O	
GPIO	8-Bit
SMBUS	Yes
FAN	1 x 4-pin Connector for CPU Fan (PWM Mode)
FRONT PANEL	HDD Active LED Power LED Power On/Off Reset
ADDITIONAL	1 x Chassis intrusion 1 x AT/ATX Mode Selection
STORAGE	
SATA	1 x SATA III 1 x SATA Power Connector
EXPANSION	
M.2	1 x B+M-Key 2242/3042/3052 (USB 3.2/SATA III/PCIe 3.0 x2) 1 x E-Key 2230 (USB 2.0/PCIe 3.0 x1)
SIM	1 x Nano SIM Card Slot
ENVIRONMENT & CERTIFICATION	
SHOCK	15G, 11ms duration
VIBRATION	1 Grms/ 5- 500Hz/ Operation
OPERATING TEMPERATURE	-20°C ~ 60°C (-4°F ~ 140°F)
STORAGE TEMPERATURE	-20°C ~ 85°C (-4°F ~ 185°F)
OPERATING HUMIDITY	10 ~ 90% relative humidity, non-condensing
CERTIFICATION	CE/FCC Class A LVD
ESG DECLARATION	EU RoHS China RoHS

Block Diagram



Dimension Unit: mm



Ordering Information

PART NUMBER	PIC-ASL1-74330010	PIC-ASL1-72130010
CPU	Intel® Atom® x7433RE Processor	Intel® Atom® x7213RE Processor
SECURITY	Intel® PTI (fTPM)	Intel® PTI (fTPM)
POWER REQUIREMENT	DC-in 12V	DC-in 12V
GPU	Intel® UHD Graphics	Intel® UHD Graphics
LVDS	1 x LVDS/eDP	1 x LVDS/eDP
HDMI	1 x HDMI®	1 x HDMI®
MULTIPLE DISPLAY	Support 2 Displays	Support 2 Displays
ETHERNET	1 x GbE	1 x GbE
USB	2 x USB 3.2	2 x USB 3.2
USB	4 x USB 2.0	4 x USB 2.0
COM	2 x RS-232/422/485	2 x RS-232/422/485
SATA	1 x SATA III	1 x SATA III
M.2	1 x B+M-Key 2242/3042/3052	1 x B+M-Key 2242/3042/3052
M.2	1 x E-key 2230	1 x E-key 2230
SIM	1 x Nano SIM Card Slot	1 x Nano SIM Card Slot
OPERATING TEMPERATURE	-20°C ~ 60°C (-4°F ~ 140°F)	-20°C ~ 60°C (-4°F ~ 140°F)