

11th Gen 10.4", 12.1"

Front IP66 Silver Aluminum Touch IPC

Features

- Fanless and rugged design
- 11th Gen Intel® Core™ Celeron 6305E / i3 1115G4E / i5 1145G7E processors
- DDR4 So-DIMM slot up to 64GB
- Resolution 1024 x 768 dpi
- True Flat PCT / 5 Wires Resistive touch solution
- IP66 Silver Aluminum front bezel
- 4 x USB, 2 x RS232/422/485, 2 x GLAN, 1 x HDMI, 1 x DP
- VESA mount & Panel mount & Clip mount



Specifications

Model No.	TP105P103/104/105S	TP122P103/104/105S	TP122R103/104/105S
System			
CPU	11 th Gen Intel® Core™ Celeron 6305E / i3 1115G4E / i5 1145G7E processors		
Memory	2 x 260-pin DDR4 3200MHz SODIMM up to 64 GB		
H/W Monitor			
H/W Monitor	Watch Dog Timer 256 Level		
TPM			
Controller	Infineon SLB9670VQ2.0		
I/O Ports			
RS232/422/485	2		
GLAN	2		
USB 3.2	4		
HDMI	1		
DP	1		
Storage			
Storage	1 x SATA 3.0		
Expansion			
M.2	1 x M.2 M key (PCI e Gen x 4 NVMe) 2280 1 x M2 B Key (PCI e x 1 , USB 2.0 w/NANO SIM Holder SATA 3.0) 2242/3042 1 x M.2 E key (PCI e x 1, USB 2.0) 2230		
Power Requirement			
Power Requirement	2 Pin power terminal block for DC in 12V ~ 24V(OCP & OVP)		
Touch Screen			



Touch Screen	PCT	5W (one touch)	PCT	5W (one touch)
OS support				
OS support	Win Pro 10 / Window 10 IoT / Linux Kernel 5.4 Ubuntu LTS			
Display				
Size	10.4" TFT (4:3)		12.1" TFT (4:3)	
Resolution	1024 x 768		1024 x 768	
Colors	16.7M		16.7M	
Luminance	350 cd/m ²		350 cd/m ²	
Contrast Ratio	900 : 1		800 : 1	
View Angle (H/V)	150°/150°		160°/160°	
Mechanical & Environmental				
Operation Temp.	0 ~ 45°C			
Storage Humidity	10 ~ 90%, non-condensing			
Mounting	VESA mount (75 x 75 mm) & Panel mount & Clip mount			
Dimension (WxHxD)	297 x 240 x 59 mm		332 x 262 x 63 mm	
Weight	TBD		2.8 kg	
Optional				
P/N: 2390000003	external antenna (WIFI)			
P/N: 2320000001	Optical Bonding			
	5GB LTE module			
P/N: 302A17006A	1600 cd/m ² High Brightness 10.4" LCD panel 1024 x 768 dpi			
P/N: 302A17006C	1600 cd/m ² High Brightness 12.1" LCD panel 1024 x 768 dpi			
P/N: 239SP17002	8pcs x Clips			
P/N: 3080212003	1 x RS232/422/485			
P/N: 3011100010	Waterproof sponge			
Optional HB Panel	TP105P103/104/105J	TP105R103/104/105J	TP122P103/104/105J	TP122R103/104/105J
Resolution	1024 x 768		1024 x 768	
Color	16.7M		16.7M	
Luminance	1000 cd/m ²		1000 cd/m ²	
Contrast Ratio	900 : 1		800 : 1	
Viewing Angle (H/V)	150°/150°		160°/160°	
Ordering Information				
TP105P103S04128	10.4" panel PC, Intel Celeron 6305E, true flat PCT, 4GB DDR 4 So-DIMM., M.2 128GB SSD, DC in power adapter		TP105P103J04128	10.4" panel PC, Intel Celeron 6305E, true flat PCT, 4GB DDR 4 So-DIMM., M.2 128GB SSD, DC in power adapter, 1000nit
TP105P104S04128	10.4" panel PC, Intel i3 1115G4E, true flat PCT, 4GB DDR 4 So-DIMM., M.2 128GB SSD, DC in power adapter		TP105P104J04128	10.4" panel PC, Intel i3 1115G4E, true flat PCT, 4GB DDR 4 So-DIMM., M.2 128GB SSD, DC in power adapter, 1000nit



Kingdy Technology Inc.

No. 8, Ln. 25, Zhongban Rd., Zhonghe Dist., New Taipei City 23556, Taiwan

Tel : +886-2-3234-6288 Fax : +886-2-3234-3199 E-mail : sales@kingdy.com.tw www.kingdy.com.tw



TP105P105S04128	10.4" panel PC, Intel i5 1145G7E, true flat PCT, 4GB DDR 4 So-DIMM., M.2 128GB SSD, DC in power adapter	TP105P103J04128	10.4" panel PC, Intel Celeron 6305E, true flat PCT, 4GB DDR 4 So-DIMM., M.2 128GB SSD, DC in power adapter, 1000nit
TP105R103S04128	10.4" panel PC, Intel Celeron 6305E, true flat 5W resistive, 4GB DDR 4 So-DIMM., M.2 128GB SSD, DC in power adapter	TP105P104J04128	10.4" panel PC, Intel i3 1115G4E, true flat PCT, 4GB DDR 4 So-DIMM., M.2 128GB SSD, DC in power adapter, 1000nit
TP105R104S04128	10.4" panel PC, Intel i3 1115G4E, true flat 5W resistive, 4GB DDR 4 So-DIMM., M.2 128GB SSD, DC in power adapter	TP105P105J04128	10.4" panel PC, Intel i5 1145G7E, true flat PCT, 4GB DDR 4 So-DIMM., M.2 128GB SSD, DC in power adapter, 1000nit
TP105R105S04128	10.4" panel PC, Intel i5 1145G7E, true flat 5W resistive, 4GB DDR 4 So-DIMM., M.2 128GB SSD, DC in power adapter	TP105R103J04128	10.4" panel PC, Intel Celeron 6305E, true flat 5W resistive, 4GB DDR 4 So-DIMM., M.2 128GB SSD, DC in power adapter, 1000nit
TP122P103S04128	12.1" panel PC, Intel Celeron 6305E, true flat PCT, 4GB DDR 4 So-DIMM., M.2 128GB SSD, DC in power adapter	TP105R104J04128	10.4" panel PC, Intel i3 1115G4E, true flat 5W resistive, 4GB DDR 4 So-DIMM., M.2 128GB SSD, DC in power adapter, 1000nit
TP122P104S04128	12.1" panel PC, Intel i3 1115G4E, true flat PCT, 4GB DDR 4 So-DIMM., M.2 128GB SSD, DC in power adapter	TP105R105J04128	10.4" panel PC, Intel i5 1145G7E, true flat 5W resistive, 4GB DDR 4 So-DIMM., M.2 128GB SSD, DC in power adapter, 1000nit
TP122P105S04128	12.1" panel PC, Intel i5 1145G7E, true flat PCT, 4GB DDR 4 So-DIMM., M.2 128GB SSD, DC in power adapter	TP122P103J04128	12.1" panel PC, Intel Celeron 6305E, true flat PCT, 4GB DDR 4 So-DIMM., M.2 128GB SSD, DC in power adapter, 1000nit
TP122R103S04128	12.1" panel PC, Intel Celeron 6305E, true flat 5W resistive, 4GB DDR 4 So-DIMM., M.2 128GB SSD, DC in power adapter	TP122P104J04128	12.1" panel PC, Intel i3 1115G4E, true flat PCT, 4GB DDR 4 So-DIMM., M.2 128GB SSD, DC in power adapter, 1000nit
TP122R104S04128	12.1" panel PC, Intel i3 1115G4E, true flat 5W resistive, 4GB DDR 4 So-DIMM., M.2 128GB SSD, DC in power adapter	TP122P105J04128	12.1" panel PC, Intel i5 1145G7E, true flat PCT, 4GB DDR 4 So-DIMM., M.2 128GB SSD, DC in power adapter, 1000nit
TP122R105S04128	12.1" panel PC, Intel i5 1145G7E, true flat 5W resistive, 4GB DDR 4 So-DIMM., M.2 128GB SSD, DC in power adapter	TP122R103J04128	12.1" panel PC, Intel Celeron 6305E, true flat 5W resistive, 4GB DDR 4 So-DIMM., M.2 128GB SSD, DC in power adapter, 1000nit

**Specifications are subject to change without notice.



Kingdy Technology Inc.

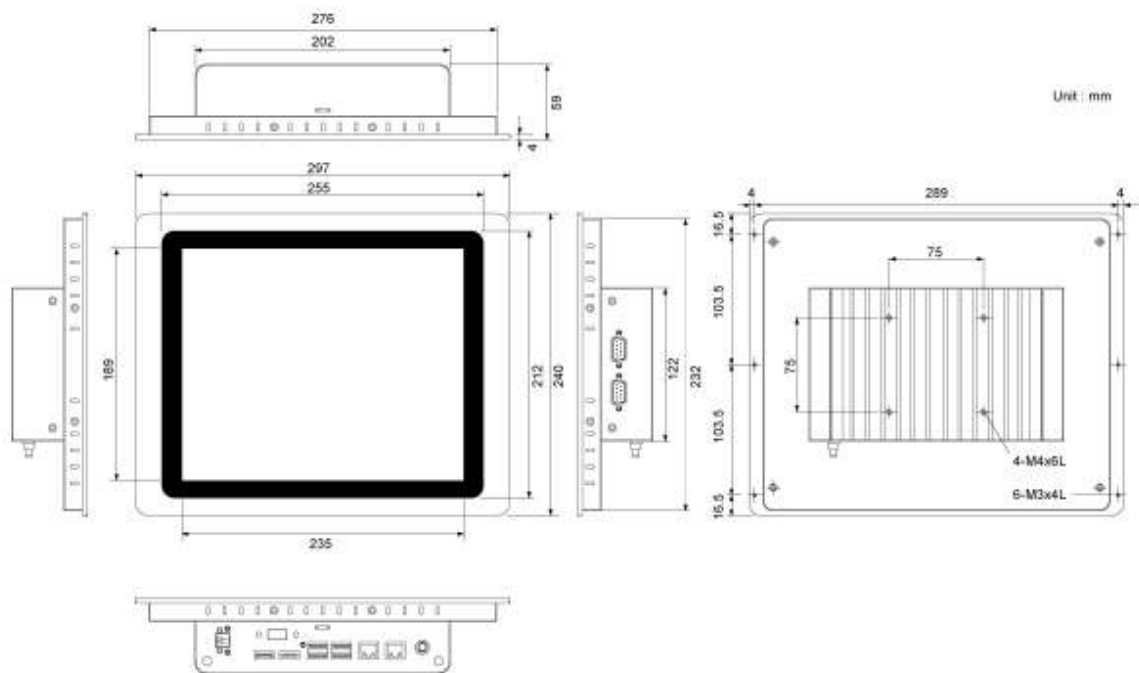
No. 8, Ln. 25, Zhongban Rd., Zhonghe Dist., New Taipei City 23556, Taiwan

Tel : +886-2-3234-6288 Fax : +886-2-3234-3199 E-mail : sales@kingdy.com.tw www.kingdy.com.tw

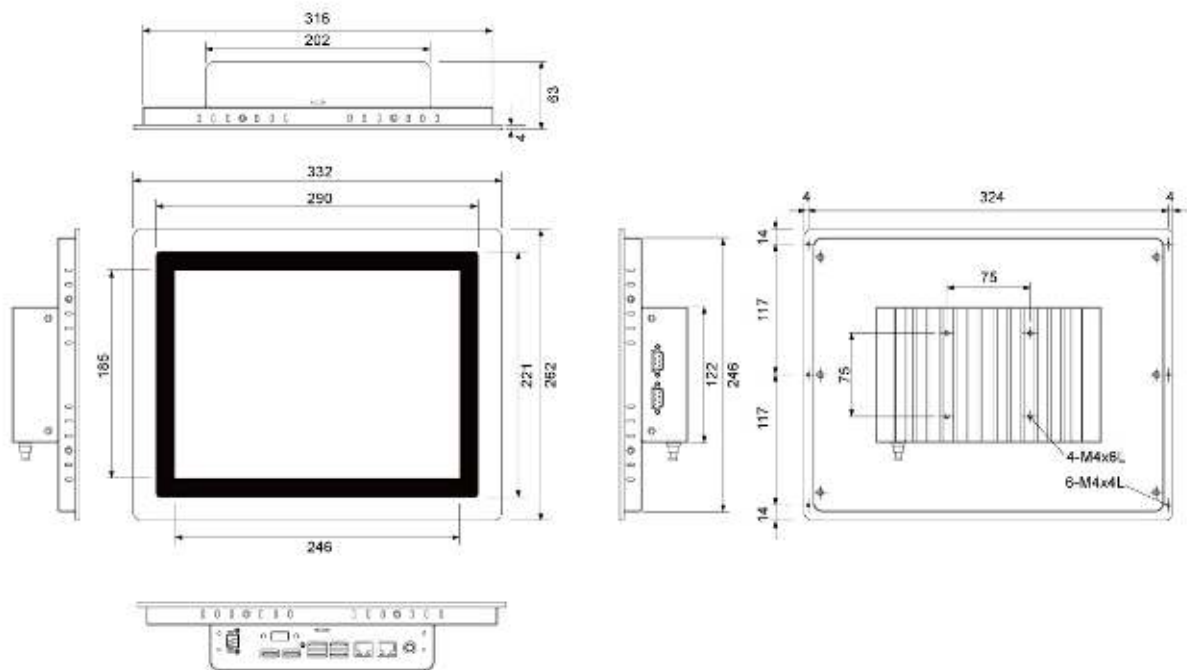


Dimension

- TP105P103/104/105S, TP105R103/104/105S



- TP122P103/104/105S, TP122R103/104/105S



Kingdy Technology Inc.

No. 8, Ln. 25, Zhongban Rd., Zhonghe Dist., New Taipei City 23556, Taiwan

Tel : +886-2-3234-6288 Fax : +886-2-3234-3199 E-mail : sales@kingdy.com.tw www.kingdy.com.tw

