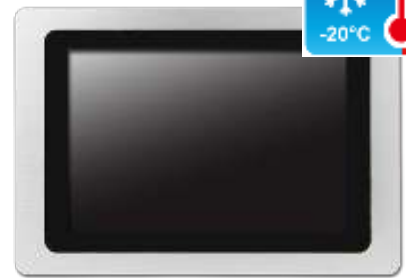


11th Gen 7", 10.1" Front IP66 Silver Aluminum Touch IPC



Features

- Fanless and rugged design
- Wide temperature solution
- 11th Gen Intel® Core™ i3 1115GRE processor
- Resolution 1024 x 600 dpi / 1280 x 800 dpi
- True Flat PCT touch screen
- IP66 Silver Aluminum front bezel
- 4 x USB, 2 x RS232/422/485, 2 x GLAN, 1 x HDMI, 1 x DP
- VESA mount & Panel mount & Clip mount



Specifications

Model No.	TP007P104W	TP101P104W
System		
CPU	11 th Gen Intel® Core™ i3 1115GRE processor	
Memory	2 x 260-pin DDR4 3200MHz SODIMM up to 64 GB	
H/W Monitor		
H/W Monitor	Watch Dog Timer 256 Level	
TPM		
Controller	Infineon SLB9670VQ2.0	
I/O Ports		
RS232/422/485	2	
GLAN	2	
USB 3.2	4	
HDMI	1	
DP	1	
GPIO	16 bits (8 x GPI , 8 x GPO), 5V , 2 x D- SUB connectors for 12.1"	
Storage		
Storage	1 x SATA 3.0	
Expansion		
M.2	1 x M.2 M key(PCI e Gen x 4 NVMe) 2280	



	1 x M2 B Key (PCI e x 1 , USB 2.0 w/NANO SIM Holder SATA 3.0) 2242/3042 1 x M.2 E key (PCI e x 1, USB 2.0) 2230	
Power Requirement		
Power Requirement	2 Pin power terminal block for DC in 12V ~ 24V (OCP & OVP)	
Touch Screen		
Touch Screen	True Flat PCT touch	
OS support		
OS support	Win Pro 10 / Window 10 IoT / Linux Kernel 5.4 Ubuntu LTS	
Display		
Size	7" TFT (16:9)	10.1" TFT (16:9)
Resolution	1024 x 600	1280 x 800
Colors	16.7M	16.7M
Luminance	320	500 cd/m ²
Contrast Ratio	500 : 1	800 : 1
View Angle (H/V)	150°/145°	170°/170°
Mechanical & Environmental		
Operation Temp.	-20 ~ 60°C	
Storage Humidity	10 ~ 90%, non-condensing	
Mounting	VESA mount (75 x 75 mm) & Panel mount & Clip mount	
Dimension (WxHxD)	232 x 166 x 63 mm	298 x 213 x 63 mm
Weight	TBD	2.2 kg
Optional		
P/N: 2390000003	external antenna (WIFI)	
P/N: 2320000001	Optical Bonding	
P/N: 239SP17002	8pcs x Clips	
P/N: 3011100010	Waterproof sponge	
Ordering Information		
TP007P104W04128	7" wide temp panel PC, Intel i3 1115GRE, True Flat PCT, 4GB DDR4 So-DIMM., M.2 128B SSD, DC in power adapter	
TP101P104W04128	10.1" wide temp panel PC, Intel i3 1115GRE, True Flat PCT, 4GB DDR4 So-DIMM., M.2 128B SSD, DC in power adapter	
**Specifications are subject to change without notice.		



Kingdy Technology Inc.

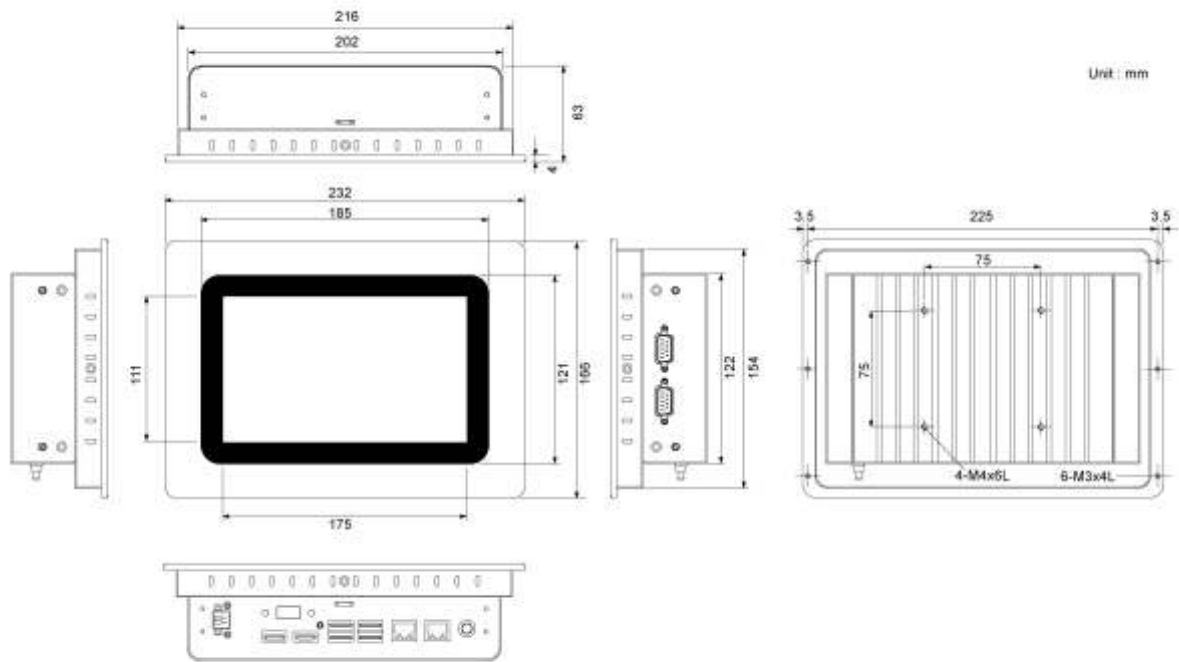
No. 8, Ln. 25, Zhongban Rd., Zhonghe Dist., New Taipei City 23556, Taiwan

Tel : +886-2-3234-6288 Fax : +886-2-3234-3199 E-mail : sales@kingdy.com.tw www.kingdy.com.tw

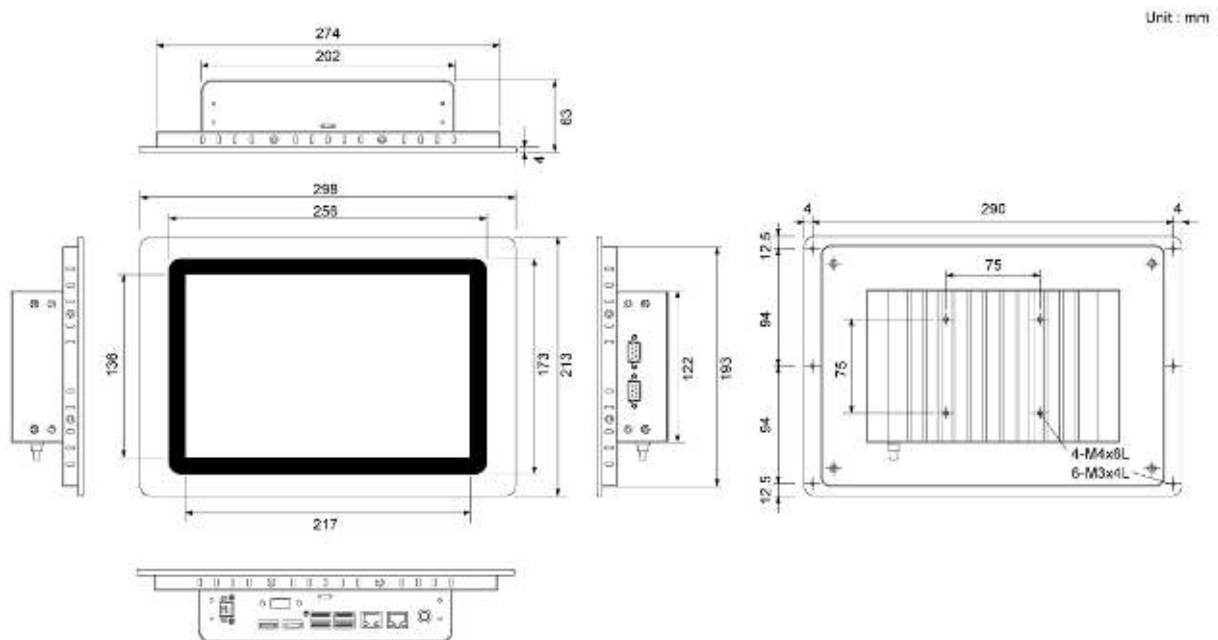


Dimension

- TP007P104W



- TP101P104W



Kingdy Technology Inc.

No. 8, Ln. 25, Zhongban Rd., Zhonghe Dist., New Taipei City 23556, Taiwan

Tel : +886-2-3234-6288

Fax : +886-2-3234-3199

E-mail : sales@kingdy.com.tw

www.kingdy.com.tw

