

11th Gen 10.1” Front IP65 Silver Aluminum Touch IPC

Features

- Fanless and rugged design
- 11th Gen Intel® Core™ Celeron 6305E / i3 1115G4E / i5 1145G7E processors
- DDR4 So-DIMM up to 64GB
- Resolution 1280 x 800 dpi
- 5 Wires Resistive touch solution
- IP65 Silver Aluminum front bezel
- 4 x USB, 2 x RS232/RS422/RS485, 2 x GLAN
- VESA mount & Panel mount & Clip mount



Specifications

Model No.	SP101R103/104/105S
System	
CPU	11 th Gen Intel® Core™ Celeron 6305E (103) / i3 1115G4E (104)/ i5 1145G7E(105) processors (On Board)
Memory	2 x 260-pin DDR4 3200MHz SODIMM up to 64 GB
H/W Monitor	
H/W Monitor	Watch Dog Timer 256 Level
TPM	
Controller	Infineon SLB9670VQ2.0
I/O Ports	
RS232/RS422/RS485	2
HDMI	1
DP	1
USB 3.2	4
GLAN	2
GPIO	16 bits (8 x GPI , 8 x GPO), 5V , 2 x D- SUB connectors
Storage	
Storage	1 x SATA 3.0
Expansion	
M.2	1 x M.2 M key(PCI e Gen x 4 NVMe) 2280 1 x M2 B Key (PCI e x 1 , USB 2.0 w/NANO SIM Holder SATA 3.0) 2242/3042 1 x M.2 E key (PCI e x 1, USB 2.0) 2230
Power Requirement	
Power Requirement	2 Pin power terminal block for DC in 12 ~ 24V (OCP & OVP)
Touch Screen	
Touch Screen	5 Wires Resistive (one touch)
OS support	
OS support	Win Pro 10 / Window 10 IoT / Linux Kernel 5.4 Ubuntu LTS
Display	
Size	10.1" TFT (16:9)
Resolution	1280 x 800
Colors	16.7M
Luminance	500 cd/m ²

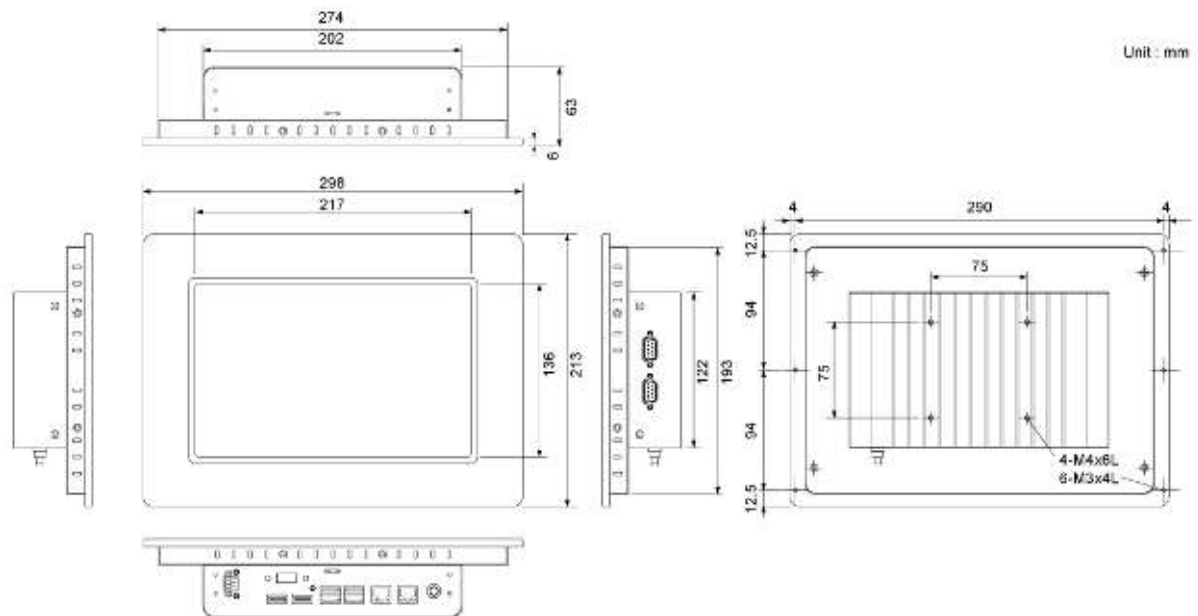


Contrast Ratio	800 : 1
View Angle (H/V)	170°/170°
Mechanical & Environmental	
Operation Temp.	0 ~ 45°C
Storage Humidity	10 ~ 90%, non-condensing
Mounting	VESA mount (75 X 75mm) & Panel mount & Clip mount
Dimension (WxHxD)	298 x 213 x 63 mm
Weight	TBD
Optional	
P/N: 2390000010	External antenna (WIFI)
P/N: 2320000001	Optical Bonding
P/n: 2390000011	External antenna (4G LTE)
P/N: 239SP17002	8pcs x Clips
P/N: 3011100010	Waterproof sponge
Ordering Information	
SP101R103S04128	10.1" panel PC, Intel Celeron 6305E , 4GB DDR4 So-DIMM., M.2 128GB SSD, DC in power adapter
SP101R104S04128	10.1" panel PC, Intel i3 1115G4E , 4GB DDR4 So-DIMM., M.2 128GB SSD, DC in power adapter
SP101R105S04128	10.1" panel PC, Intel i5 1145G7E , 4GB DDR4 So-DIMM., M.2 128GB SSD, DC in power adapter

**Specifications are subject to change without notice.

Dimension

- SP101R103/104/105S



Kingdy Technology Inc.

No. 8, Ln. 25, Zhongban Rd., Zhonghe Dist., New Taipei City 23556, Taiwan

Tel : +886-2-3234-6288 Fax : +886-2-3234-3199 E-mail : sales@kingdy.com.tw www.kingdy.com.tw

