

## 11<sup>th</sup> Gen 10.1” Front IP65 Silver Aluminum Touch IPC

### Features

- Fanless and rugged design
- Wide temperature solution
- 11<sup>th</sup> Gen Intel® Core™ i3 1115GRE processor
- DDR4 So-DIMM up to 64GB
- Resolution 1280 x 800 dpi
- 5 Wires Resistive touch solution
- IP65 Silver Aluminum front bezel
- 4 x USB, 2 x RS232/RS422/RS485, 2 x GLAN
- VESA mount & Panel mount & Clip mount



### Specifications

Model No.	SP101R104W
<b>System</b>	
CPU	11 <sup>th</sup> Gen Intel® Core™ i3 1115GRE processor
Memory	2 x 260-pin DDR4 3200MHz SODIMM up to 64 GB
<b>H/W Monitor</b>	
H/W Monitor	Watch Dog Timer 256 Level
<b>TPM</b>	
Controller	Infineon SLB9670VQ2.0
<b>I/O Ports</b>	
RS232/RS422/RS485	2
HDMI	1
DP	1
USB 3.2	4
GLAN	2
GPIO	16 bits ( 8 x GPI , 8 x GPO), 5V , 2 x D- SUB connectors
<b>Storage</b>	
Storage	1 x SATA 3.0
<b>Expansion</b>	
M.2	1 x M.2 M key (PCI e Gen x 4 NVMe) 2280 1 x M2 B Key ( PCI e x 1 , USB 2.0 w/NANO SIM Holder SATA 3.0) 2242/3042 1 x M.2 E key (PCI e x 1, USB 2.0) 2230
<b>Power Requirement</b>	
Power Requirement	2 Pin power terminal block for DC in 12 ~ 24V ( OCP & OVP)
<b>Touch Screen</b>	
Touch Screen	5 Wires Resistive (one touch)
<b>OS support</b>	
OS support	Win Pro 10 / Window 10 IoT / Linux Kernel 5.4 Ubuntu LTS
<b>Display</b>	
Size	10.1" TFT (16:9)
Resolution	1280 x 800
Colors	16.7M

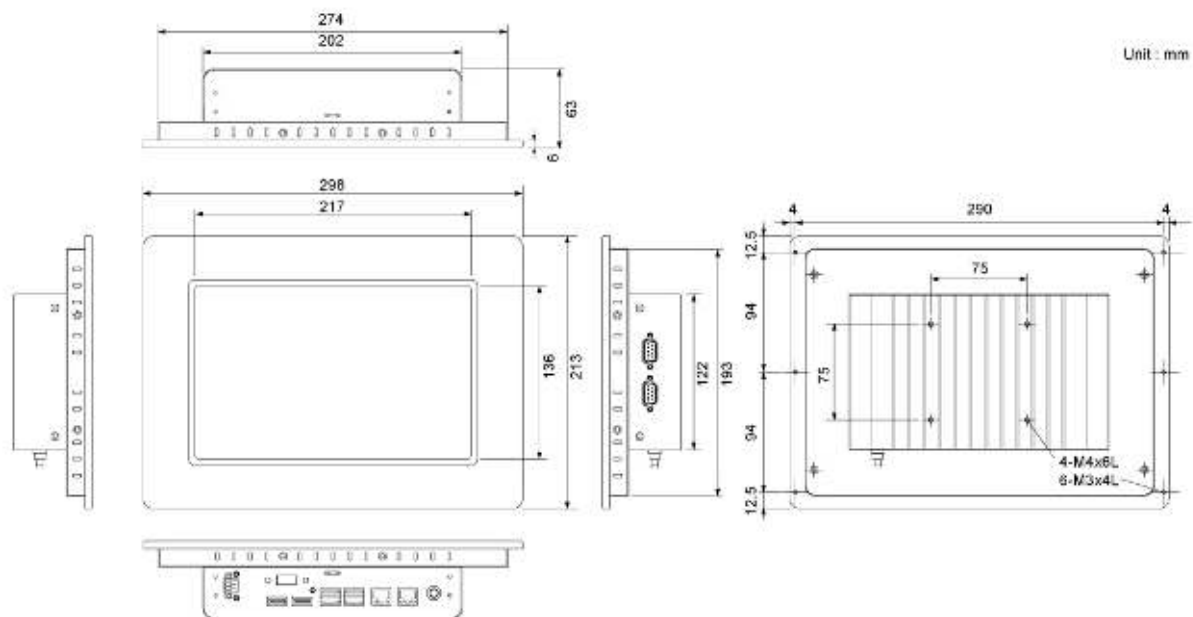


Luminance	500 cd/m <sup>2</sup>
Contrast Ratio	800 : 1
View Angle (H/V)	170°/170°
<b>Mechanical &amp; Environmental</b>	
Operation Temp.	-20 ~ 60°C
Storage Humidity	10 ~ 90%, non-condensing
Mounting	VESA mount (75 x 75mm) & Panel mount & Clip mount
Dimension (WxHxD)	298 x 213 x 63 mm
Weight	TBD
<b>Optional</b>	
P/N: 2390000010	External antenna ( WIFI )
P/N: 2320000001	Optical Bonding
P/n: 2390000011	External antenna ( 4G LTE)
P/N: 239SP17002	8pcs x Clips
P/N: 3011100010	Waterproof sponge
<b>Ordering Information</b>	
<b>SP101R104W04128</b>	10.1" wide temp panel PC, Intel i3 1115GRE , 4GB DDR4 So-DIMM., M.2 128GB SSD, DC in power adapter

\*\*Specifications are subject to change without notice.

## Dimension

- SP101R104W



**Kingdy Technology Inc.**

No. 8, Ln. 25, Zhongban Rd., Zhonghe Dist., New Taipei City 23556, Taiwan

Tel : +886-2-3234-6288 Fax : +886-2-3234-3199 E-mail : [sales@kingdy.com.tw](mailto:sales@kingdy.com.tw) [www.kingdy.com.tw](http://www.kingdy.com.tw)

