

11th Gen 10.4", 12.1"

Front IP65 Silver Aluminum Touch IPC

Features

- Fanless and rugged design
- Wide temperature & sunlight readable solution
- 11th Gen Intel® Core™ i3 1115GRE / i7 1185GRE processors
- DDR4 So-DIMM slot up to 64GB
- Resolution 1024 x 768 dpi
- 5 Wires Resistive touch solution
- 4 x USB 3.2, 2 x RS232/422/485, 2 x GLAN, 1 x HDMI, 1 x DP
- VESA mount & Panel mount & Clip mount



Specifications

Model No.	SP105R104/106W	SP122R104/106W
System		
CPU	11 th Gen Intel® Core™ i3 1115GRE / i7 1185GRE CPU	
Memory	2 x 260-pin DDR4 3200MHz SODIMM up to 64 GB	
H/W Monitor		
H/W Monitor	Watch Dog Timer 256 Level	
TPM		
Controller	Infineon SLB9670VQ2.0	
I/O Ports		
RS232/422/485	2 for 10.4" 1 for 12.1"	
HDMI	1	
DP	1	
USB	4	
GLAN	2	
GPIO	16 bits (8 x GPI , 8 x GPO), 5V , 2 x D- SUB connectors for 12.1"	
Storage		
Storage	1 x SATA 3.0	
Expansion		
M.2	1 x M.2 M key(PCI e Gen x 4 NVMe) 2280 1 x M2 B Key (PCI e x 1 , USB 2.0 w/NANO SIM Holder SATA 3.0) 2242/3042 1 x M.2 E key (PCI e x 1, USB 2.0) 2230	
Power Requirement		
Power Requirement	3 Pin power terminal block for DC in 12 ~ 24V(OCP & OVP)	
Touch Screen		
Touch Screen	5 Wires Resistive (one touch)	
OS support		
OS support	Win Pro 10 / Window 10 IoT / Linux Kernel 5.4 Ubuntu LTS	
Display		
Size	10.4" TFT (4:3)	12.1" TFT (4:3)
Resolution	1024 x 768	1024 x 768
Colors	16.7M	16.7M
Luminance	350 cd/m ²	350 cd/m ²



Contrast Ratio	900 : 1	800 : 1	
View Angle (H/V)	150°/150°	160°/160°	
Mechanical & Environmental			
Operation Temp.	-20 ~ 60°C		
Storage Humidity	10 ~ 90%, non-condensing		
Mounting	VESA mount (75 x 75mm) & Panel mount & Clip mount		
Dimension (WxHxD)	302 x 224 x 71 mm	350 x 264 x 70 mm	
Weight	3.4 kg	TBD	
Optional			
P/N: 2390000003	external antenna (WIFI)		
P/N: 302A17006A	1600 cd/m ² High Brightness 10.4" LCD panel 1024 x 768 dpi		
P/n: 2390000011	External antenna (4G LTE)		
P/N: 302A17006C	1600 cd/m ² High Brightness 12.1" LCD panel 1024 x 768 dpi		
P/N: 2320000001	Optical Bonding		
P/N: 239SP17002	8pcs x Clips		
P/N: 3011100010	Waterproof sponge		
Optional HB Panel	SP105R104/106K	SP122R104//106K	
Resolution	1024 x 768	1024 x 768	
Color	16.7M	16.7M	
Luminance	1000 cd/m ²	1000 cd/m ²	
Contrast Ratio	900 : 1	800 : 1	
Viewing Angle (H/V)	150°/150°	160°/160°	
Ordering Information			
SP105R104W04128	10.4" wide temp panel PC, Intel i3 1115GRE, 4GB DDR4 So-DIMM., M.2 128GB SSD. DC in power adapter	SP105R104K04128	10.4" wide temp panel PC, Intel i3 1115GRE , 4GB DDR4 So-DIMM., M.2 128GB SSD. DC in power adapter,1000 nit.
SP105R106W04128	10.4" wide temp panel PC, Intel i7 1185GRE, 4GB DDR4 So-DIMM., M.2 128GB SSD, DC in power adapter	SP105R106K04128	10.4" wide temp panel PC, Intel i7 1185GRE, 4GB DDR4 So-DIMM., M.2 128GB SSD, DC in power adapter,1000 nit.
SP122R104W04128	12.1" wide temp panel PC, Intel i3 1115GRE, 4GB DDR4 So-DIMM., M.2 128GB SSD. DC in power adapter	SP122R104K04128	12.1" wide temp panel PC, Intel i3 1115GRE, 4GB DDR4 So-DIMM., M.2 128GB SSD. DC in power adapter,1000 nit.
SP122R106W04128	12.1" wide temp panel PC, Intel i7 1185GRE, 4GB DDR4 So-DIMM., M.2 128GB SSD, DC in power adapter	SP122R106K04128	12.1" wide temp panel PC, Intel i7 1185GRE, 4GB DDR4 So-DIMM., M.2 128GB SSD, DC in power adapter,1000 nit.

**Specifications are subject to change without notice.



Kingdy Technology Inc.

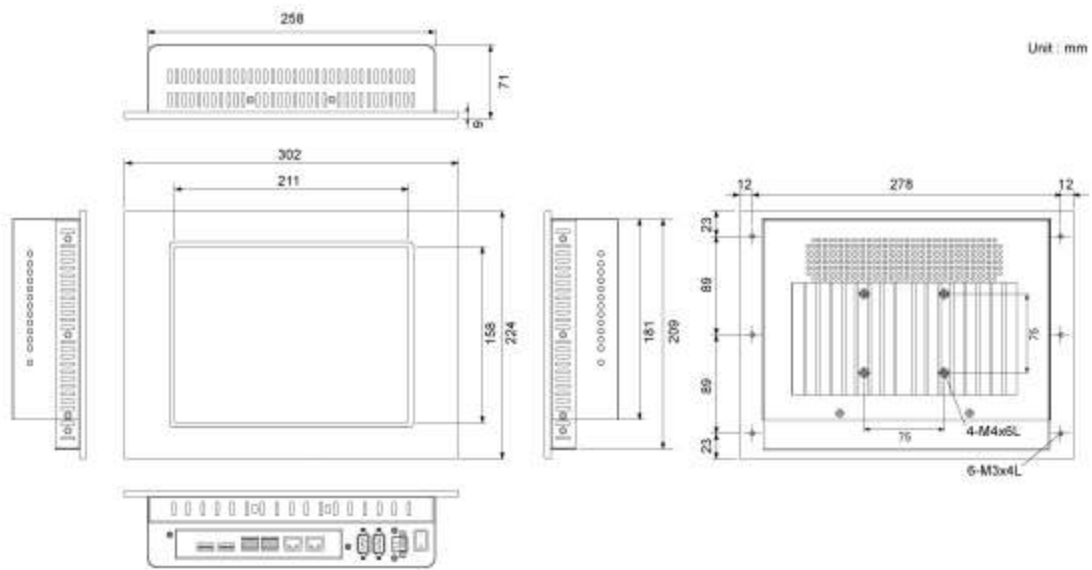
No. 8, Ln. 25, Zhongban Rd., Zhonghe Dist., New Taipei City 23556, Taiwan

Tel : +886-2-3234-6288 Fax : +886-2-3234-3199 E-mail : sales@kingdy.com.tw www.kingdy.com.tw

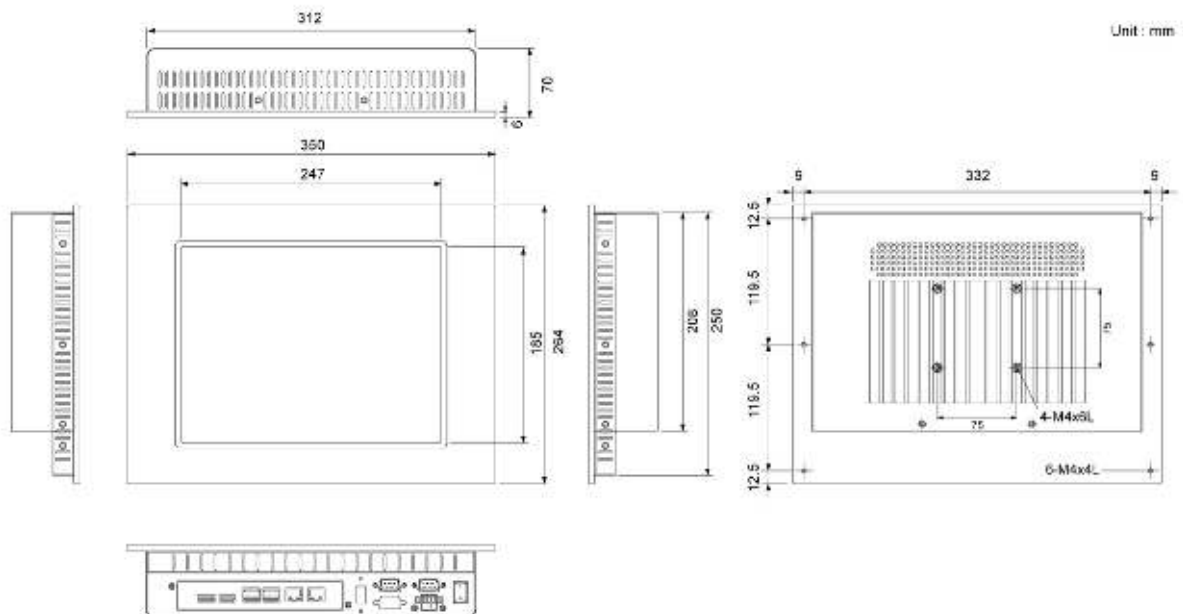


Dimension

- SP105R104/106W



- SP122R104/106W



Kingdy Technology Inc.

No. 8, Ln. 25, Zhongban Rd., Zhonghe Dist., New Taipei City 23556, Taiwan

Tel : +886-2-3234-6288 Fax : +886-2-3234-3199 E-mail : sales@kingdy.com.tw www.kingdy.com.tw

