

NAS Series 

# NAS1408



## 14" Rugged AI Notebook



- 14 inch Windows System with Intel® Core™ Ultra 7 Processor 155H
- New integrated NPU for dedicated AI Acceleration
- Durable Design for All environment Use
- Dual Capacity Hot Swap Battery Design
- 1,000 nits High Brightness Sunlight Readable
- High-speed Thunderbolt 4 Interface
- Advanced wireless solution support 4G/LTE, WiFi 6, BT 5.1 and GNSS



Instrument  
Testing



Industrial Operating  
System



Logistics  
Operation



Warehouse  
Optimization



Inventory  
Checking

# Specification

## NAS1408

### Display

Display Type	14-inch FHD
Resolution	1920x1080
Brightness	1000 nits
Touch Panel	10-Point Capacitive Screen, Hardness above 7H; Scratch-resistant; Supports glove touch (Optional)

### System

CPU	Intel® Core™ Ultra 7 Processor 155H 24M Cache, up to 4.80 GHz
GPU	iGfx/dGfx (Intel Xe LPG Graphics)
Memory	16GB DDR5 (Default), 32GB (Optional)
Storage	256GB M.2 SSD
SSD	1 x M.2 2280 M-Key SSD (Expansion Slot) (Optional)
Operating System	Windows 11/10 IoT
Security	TPM2.0
I/O Ports	3 x USB Type-A (1 x USB3.2, 1 x USB3.0, 1 x USB2.0) 1 x USB Type-C (Support Thunderbolt 4) 1 x Φ3.5mm standard earphone jack 1 x HDMI 2.0a Mini 1 x SIM card 1 x TF card 1 x RJ45 10M/100M/1000M self-adaptive 1 x RJ45 10M/100M/1000M self-adaptive (USB2.0), supports Gigabit Ethernet protocol 1 x RS232 1 x DC19V/3.78A Φ5.5mm power interface 1 x 12PIN Pogo Pin (USB & Charging) 1 x Anti-theft Lock Slot 1 x Right-side Cooling Vent 1 x M.2 E-KEY interface for custom modules.
WiFi	Wi-Fi 6
4G/5G	4G (M.2 interface) LTE-FDD: B1/3/5/7/8/20/28, LTE-TDD: B38/40/41 ; 5G (Optional)
Bluetooth	BT5.1 class 1; Transmission Distance: 10m
GPS	Supports single GPS or single glonass, default GPS
Data Collection	Fingerprint Module NFC Module

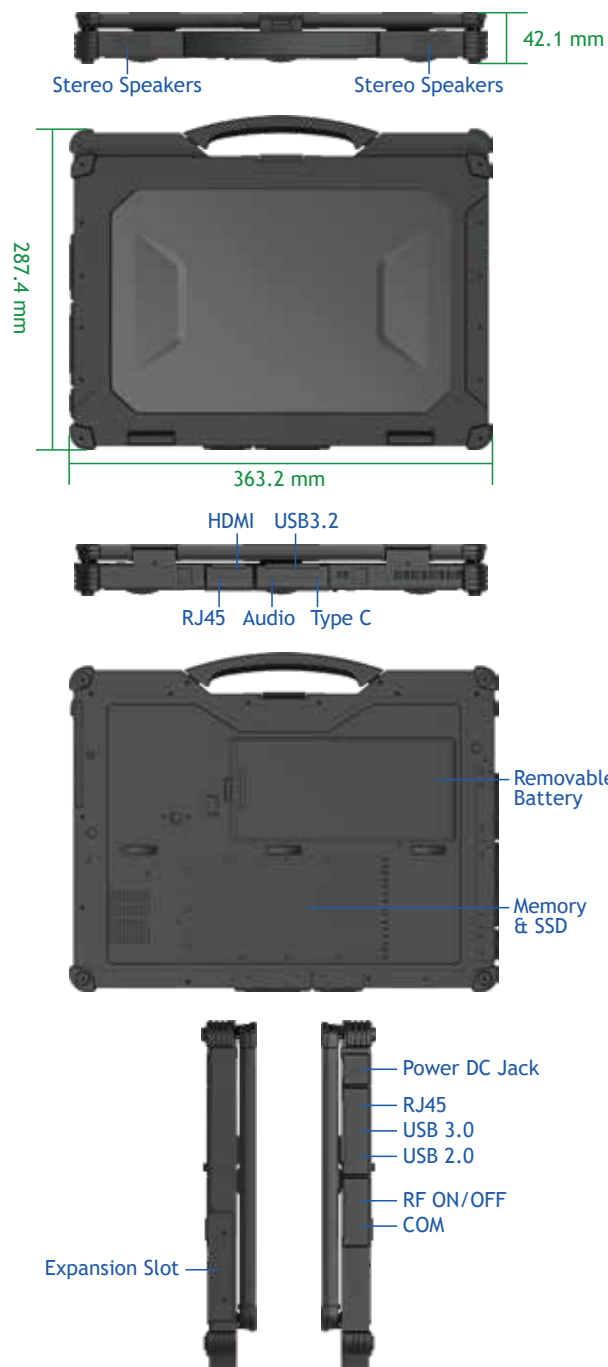
### Physical

Material	ABS+PC
Camera	Front 5.0MP
Speaker	2 x Built in 4Ω/3W
Microphone	1 x Internal MIC
Keyboard	US Layout Keyboard with Backlight
Color	Black
Dimension (WxHxD)	363.2 x 287.4 x 42.1mm
Weight	TBD
Buttons	1 x Power Button 1 x P Key (one-click screen off/on) 1 x F (toggle switch, enable/disable wireless functions) 1 x Camera Constant white light when active, light off when inactive.
Indicator Light	1 x Power Constant blue light when power on, light off when off. 1 x Battery (Dual-color red/green) Red when charging, green when fully charged, blinking red for low battery, light off during discharge. 1 x Caps Lock Key Red light on indicates caps lock on, off indicates caps lock off. 1 x Airplane Mode Red light on indicates airplane mode on, off indicates airplane mode off.
Battery (Built-in)	Built-in Polymer Lithium-ion Battery, Non-removable 1300mah/11.1V (14.4WH) 1.5hrs (Default 50% volume, 200 lumens brightness, playing 1080P HD video)
Battery (Removable)	Removable Polymer Lithium-ion Battery, Hot-swappable 4850mah/11.55V (56WH) 8hrs (Playing 1080P HD video, Conditions: System in balance mode, 30% brightness, 320 lumens, 30% volume (70 dB at 10cm), WiFi and Bluetooth turned off.)
Power Adapter	DC input 100-240VAC0.5A50/60Hz DC19V/3.78A 71.82W
Standard Accessory	1 x DC19V / 3.78A adapter
Box Dimension	442 x 312.5 x 72 mm
Box Weight	TBD

### Environment

IP Rating	IP65
Drop Test	1.22m drop resistance
Certification	CE, UN3803, Optional FCC, CCC, MIL-STD-810H
Operating Temperature	-20 °C to 60 °C
Storage Temperature	-30 °C to 70 °C
Relative Humidity	95% Non-Condensing
Warranty	2 Years

### Overview



### Optional Accessory



ABAT140  
Removable Battery  
4850mAh/11.55V



ADA19D3  
Power Adapter  
DC 19V/ 3.78A/ 71.82W