

PPC Line WAP Series

WAP2155



21.5" Waterproof Stainless Windows Touch Panel PC



WIFI



IP66/69K



M12 Connector



PCAP



Fanless

9V 48V
Wide Voltage

- 21.5" TFT LCD w/PCAP Touch
- Durable M12 I/O Connectors
- Support Wall Mount, Yoke Mount, VESA Mount (Optional)
- Intel® Pentium® processor N4200
- Wi-Fi Module & Antenna (Optional)
- All-around IP66/IP69K Rating

Food
ProcessingPharmaceutical
ManufacturingCleanroom
ApplicationChemical Critical
EnvironmentAnimal Feed
Production Facility

Specification

WAP2155

Display

Display Type	21.5" TFT LCD
Resolution	1920x1080
Brightness	300 nits
Touch Panel	10 Points Projected Capacitive Touch Panel

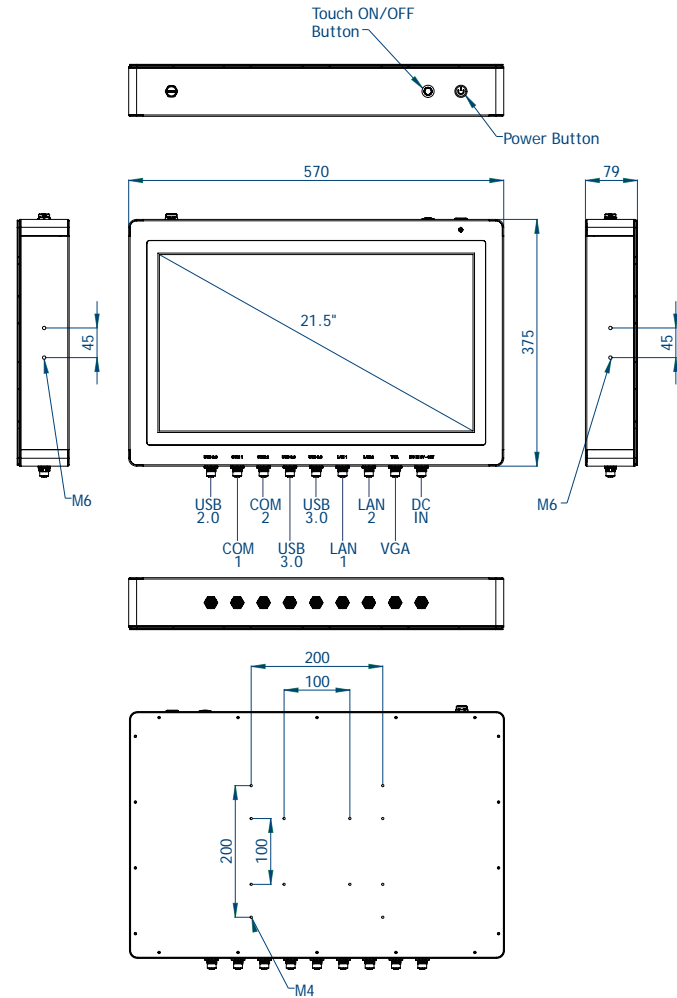
System

CPU	Intel® Pentium® N4200 Quad Core Processor, up to 2.5 GHz
Memory	1 x SO-DIMM, DDR3L 1066/1333MHZ, 4GB (Up to 8GB)
Graphic	Integrated Intel® HD Graphics 505, Supports Triple Independent Display
Expansion	1 x Full size Mini PCIe Socket (mux with mSATA)
Storage	1x Internal 2.5" SATA HDD Bay (Up to 1TB) 1x mSATA Socket (Shared by 1x Mini PCIe) (Up to 1TB)
OS Support	Windows® 10 IoT Enterprise, Windows® 10 Pro
Communication	2x Intel® i210 AT GbE LAN Port, Support Wake on LAN and PXE
WLAN	Wi-Fi 802.11 a/b/g/n/ac/BT4.0 (Optional)
Power Mode	AT, ATX
Power Input	DC 9-48V
Power Connector	M12 Connector
Power Adapter	DC 12V/5A, 60W (Optional)
IO Ports	1 x VGA (M12 12-pin Connector) 2 x LAN (M12 8-pin Connector) 2 x USB 3.0 (M12 3-pin Connector) 1 x USB 2.0 (M12 8-pin Connector) 2 x COM (M12 8-pin Connector) 1 x DC Input (M12 5-pin Connector) 1 x Waterproof Power On/Off Button 1 x Waterproof Touch On/Off Button

Physical

Construction	SUS304 Stainless steel chassis
Rugged Feature	Full IP66/IP69K
Power Adapter	DC 12V/5A, 60W Power Adapter (Optional)
Mounting	VESA Mounting Holes 100 x 100mm/ 200 x 200mm/ 200 x 100mm Wall Mount (Optional) Yoke Mount (Optional)
Product Dimension	570 x 375 x 79 mm
Product Weight	11kg
Box Dimension	745 x 610 x 255 mm
Box Weight	16kg
Operating Temperature	-10°C to 60°C
Storage Temperature	-20°C to 70°C
Relative Humidity	10%- 90% @-20°C (non-condensing)

Dimension



Optional Accessory

