

# R15IAN3S-MRM2

15" Marine Panel PC with Intel® N150 Processor



## KEY FEATURES

- Intel® N150 processor marine panel PC
- Dimming knob control backlight brightness from nearly 0% to 100%
- 9~36V DC power input acceptable
- Panel (flush) mount IP66 aluminum housing with powder coating design

## INTRODUCTION

The R15IAN3S-MRM2 is a marine panel PC powered by the Intel® N150 processor, specifically engineered for demanding maritime automation and bridge systems. It features a physical dimming knob for seamless 0% to 100% backlight adjustment, ensuring optimal readability under changing day and night conditions at sea. Encased in a flush-mount, IP66-rated aluminum housing with anti-corrosion powder coating, it offers exceptional durability in harsh marine environments. With support for a wide 9~36V DC power input, this panel PC guarantees reliable and stable performance against vessel power fluctuations.

## SPECIFICATIONS

### Display

<b>Touch / Glass</b>	Resistive Touch Screen (Default) AR Glass (Optional)	<b>Resolution</b>	1024x768
<b>Size</b>	15.0 inches	<b>Contrast Ratio</b>	2000:1
<b>Panel Brightness</b>	500.0 nits	<b>View Angles</b>	88, 88, 88, 88
<b>Active Area</b>	304.1x228.1 mm		

### System Specification

<b>Processor</b>	Intel® Processor N150 6M Cache, up to 3.6 GHz	<b>Memory</b>	8GB (Default) 16GB (Optional)
<b>Storage</b>	128GB (Default) 256GB (Optional) 512GB (Optional) 1TB (Optional) 2TB (Optional) 4TB (Optional)	<b>Ethernet controller</b>	2 x Intel® Ethernet Controller
<b>Operating System</b>	Windows 11 IoT Enterprise (64 bit)		

### Environment

<b>Operating Humidity</b>	5% to 95%	<b>Operating Temperature</b>	-15~55°C
<b>Shock</b>	15G, 11ms duration	<b>Vibration</b>	0.7g@DNV-CG-0339 (Class A)
<b>IP rating</b>	IP66 (Front Side)		

### Certification

<b>Certification</b>	CE, FCC
----------------------	---------

### Mechanical

<b>Dimension</b>	412 x 345 x 71.7 mm	<b>Weight</b>	6.2 kg
<b>Mounting</b>	VESA mount/Panel mount	<b>Enclosure</b>	Metal Housing with Aluminum Bezel
<b>Cooling System</b>	Fanless Design	<b>Cut out</b>	360 x 302mm

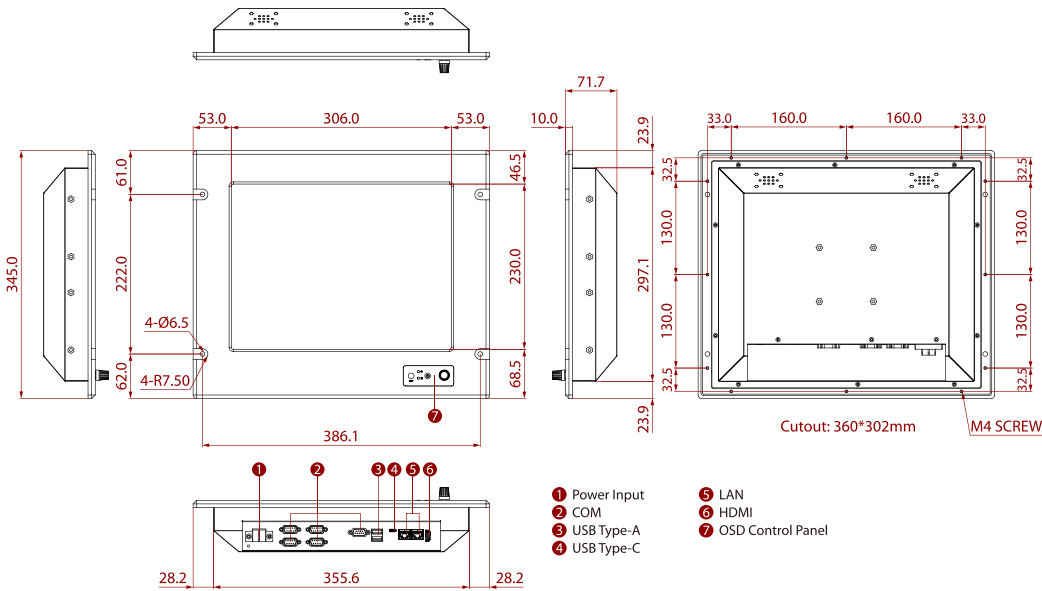
<b>IO Ports</b>			
<b>USB Port</b>	2 x USB3.2 (Type-A) 1 x USB 3.2 (Type C)	<b>Serial Port</b>	1 x RS232, (Default) 4 x RS232 or 4 x Isolation RS422/485 (Optional)
<b>Video</b>	(Default) 1 x HDMI (Optional)	<b>LAN</b>	2 x 2.5 Giga LAN RJ45 Connector

<b>Accessory</b>			
<b>Accessory</b>	Driver CD & User Manual 4 x M6 Black Screw Bolt with M6 Nut 1 x AC Adapter12V/ 84W 1 x Power Cord		

<b>Power</b>			
<b>Power Rating</b>	9~36V DC Input Acceptable	<b>Consumption</b>	55W (Typical)

<b>Control</b>			
<b>Button</b>	1 x Power Button 1 x Reset Button 1 x The Dimming Knob		

## DIMENSIONS UNIT:MM



## NOTE

1. This is a simplified drawing and some components are not marked in detail.
2. Please contact our sales representative if you need further product information.
3. All specifications are subject to change without prior notice.
4. The product shown in this datasheet is a standard model. For diagrams that contain customized or optional I/O, please contact the Winmate Sales Team for more information.