



## HPC-121SC-2930-4G

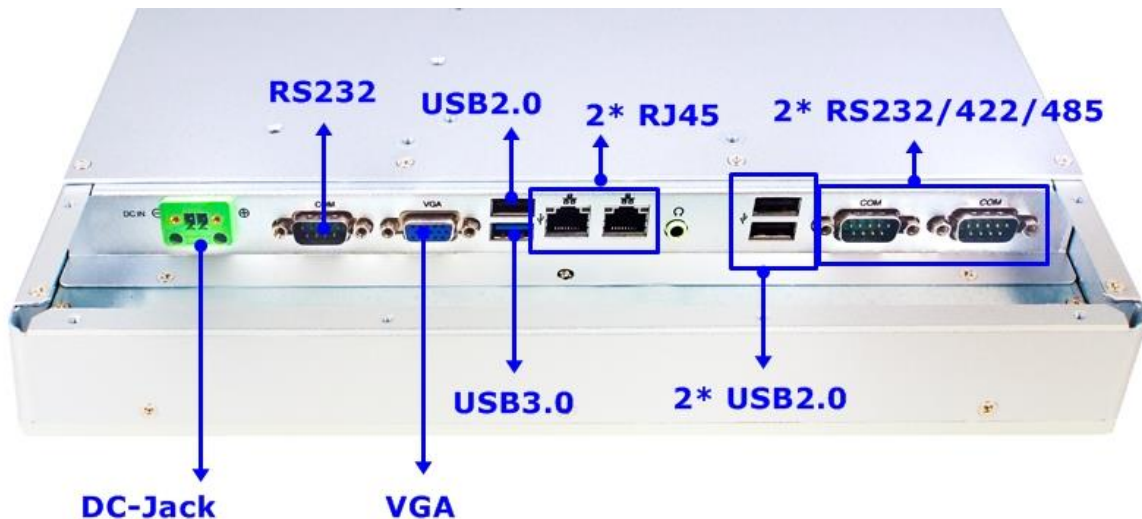
12.1" TFT Fan less Touch Panel Computer with Intel® Bay Trail-M N2930 1.83GHz Quad Cores Processor



1. 12.1" 450 nits high brightness TFT LCD with LED backlight
2. Projective capacitive type Touch
3. Onboard Intel® Bay Trail-M N2930 1.83GHz Quad Cores CPU
4. Onboard SAMSUNG 4G/1333MHz DDR3L Memory
5. Support Dual Intel® Gigabit LAN
6. Support 3 \* COM ports (COM2/COM3 Support RS422/485)
7. Support 2.5" SATA HDD
8. 1 \* M-SATA Socket
9. 1 \* Mini PCI-E Socket
10. Support 4G SIM Card
11. IP65-rated front bezel



### External I/O



### Power Button



## Specifications

### Display

Front Bezel	- IP65, NEMA 4 rugged protection, metal front bezel
Display Type	- 12.1" With LED Backlight
Brightness (cd/m <sup>2</sup> )	- 450 nits
Display Color	- 262K
Resolution	- 1024 x768 @ 60Hz
Viewing Angle (H/V)	- 160°/160°
Pixel Pitch	- 0.24 x 0.24 mm
Aspect Ratio	- 4:3
Contrast Ratio	- 700:1
Response Time	- 8 ms
Operating Temperature	--20 ~70°C

### Touch screen

Type	- Projective capacitive type
Active Range	- 290.0 x 220.5mm ±0.3mm
Transparency	- 85 ±5%
Surface Hardness	- ≧ 6H (ASTM D3363, pressure 1N/45°)
Operating Force	- ≦ 10g
z	--20 ~ 70°C

### Main System

CPU	- Intel® Bay Trail-M N2930 1.83GHz/QC
RAM	- 4G 1333MHz DDR3L SAMSUNG DRAM
BIOS	- 64MB SPI Flash ROM
Storage	- 1 * 2.5" SATA HDD (SATA-2) - 1 * M-SATA connector
Watchdog Timer	- 256 levels, 0~255 sec.
OS Support	- Windows 7 / 8.1 / 10 / Linux (Option)

### I/O Connector

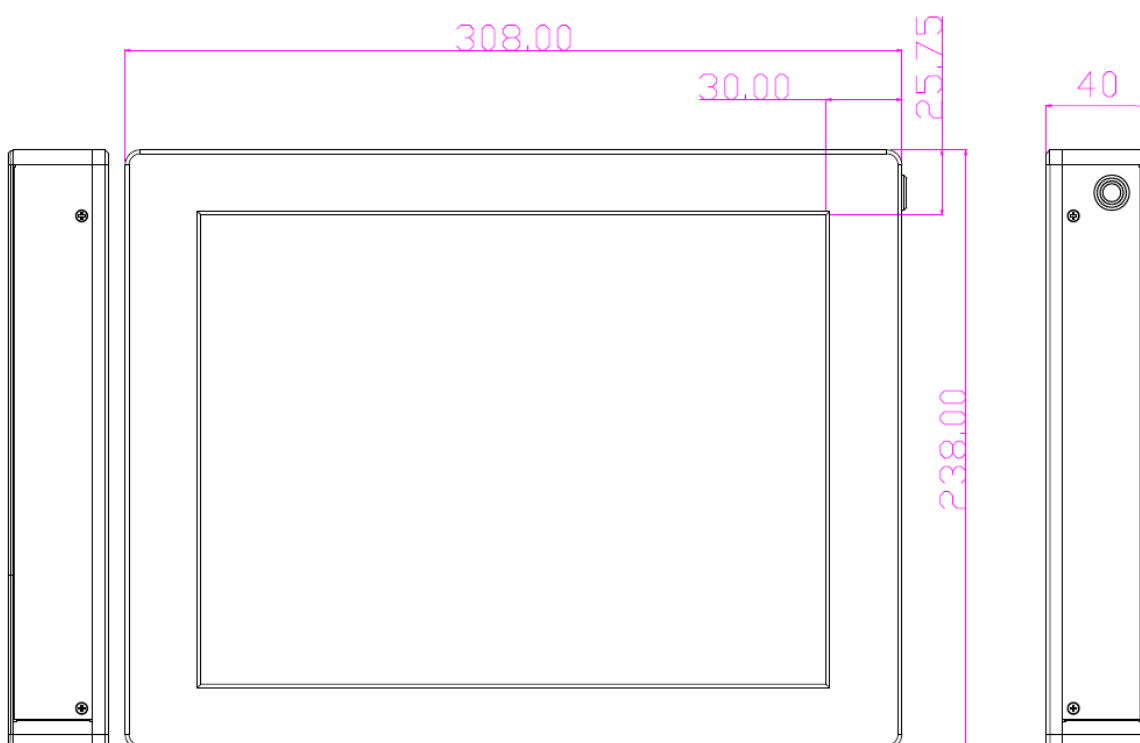
I/O Ports and Switches	- 1 * USB3.0 - 3 * USB2.0 - 1 * RS232 - 2 * RS232/422/485 - 1 * CRT - 2 * LAN (Intel® I211AT Gigabit LAN) - 1 * Line-out - 1 * Euro terminal block 9~24V DC input
------------------------	--

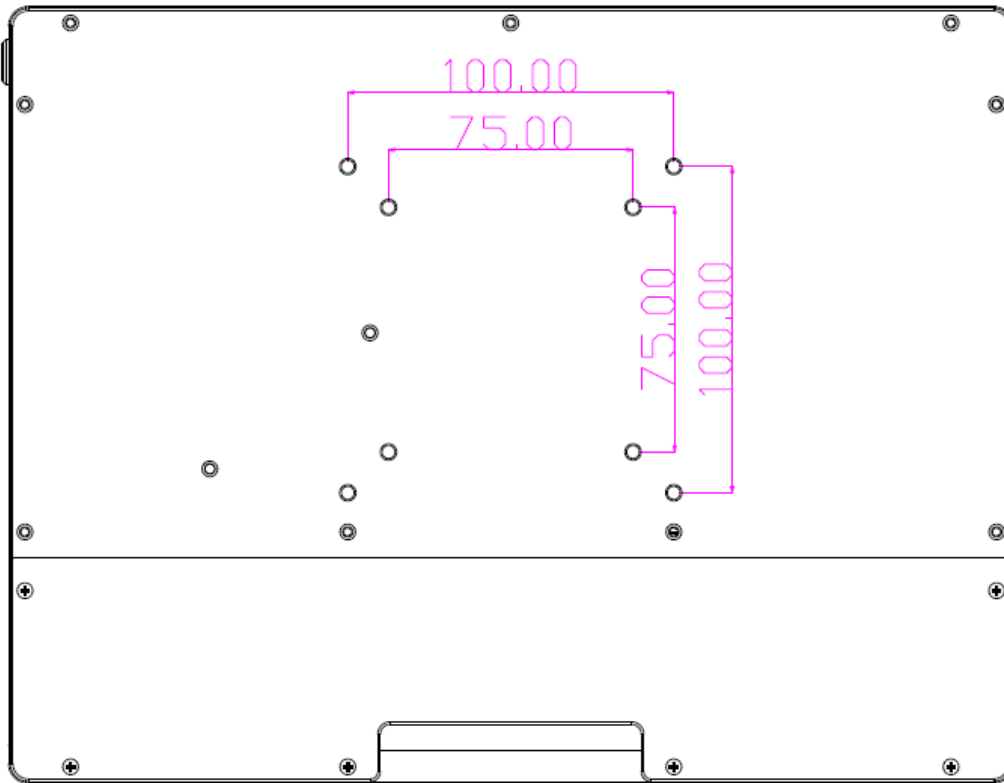
### Expansion Interface

Expansion	- 1 * PCI-E mini card for wifi or 3G
<b>Power</b>	
Power Input	- AC version: 100~240V AC-DC 60W power adapter or - DC version: 9~24VDC with over current protection fuse
Power Consumption	- 27W
<b>Dimensions</b>	
Case Dimensions	- 308*238*40mm
Packing Dimensions	- Net Weight: KG - Gross Weight: KG - Color Box dimension: (W) * (D) * (H) mm
<b>Certifications</b>	
Certifications	- CE, FCC, IP65
<b>Environment</b>	
Temperature	- Operating: -10°C ~ 60°C (with W.T. DRAM/HDD in airflow condition)
	- Operating: -10°C ~ 60°C (with W.T. DRAM/HDD)
	- Storage: -20°C ~ 70°C
Shock	- Operating: 15G , 11ms duration
Vibration	- Operating: 5~500Hz/1 Grms
<b>Warranty</b>	
Warranty	- 2 Years Limited Warranty (Panel is only Warranty 1Year)

\*Specifications subject to change without notice, not responsible for typographical errors. Does not include HDD or OS.

## Mechanical Drawings (Unit = mm)





## Optional Accessories

Part Number	Description
-----	HPC121SC-2930-4G
	HPC121SC-2930-4G User's Manual
	CD Driver
	Power cord
	60W AC-DC Adapter